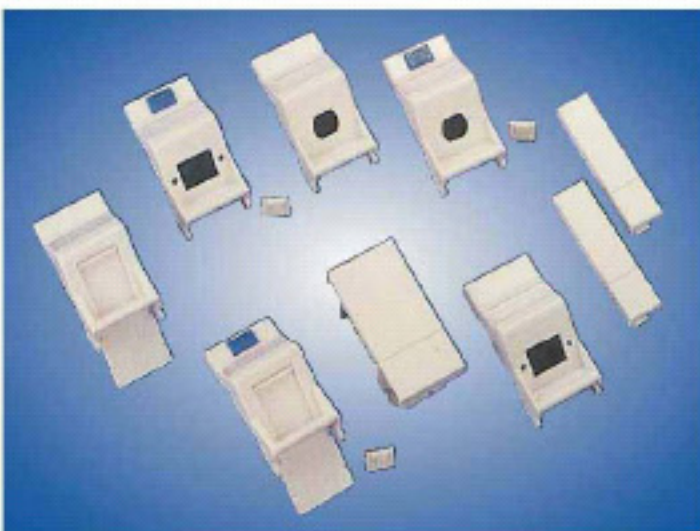


# Faceplate Family

Surround faceplate the appearance will enhance any decoration.

Choices of snap-in modules of RJ45 jack, ST or SC fiber adaptors for different wiring system application.



### Material:

1. Housing : ABS UL94V-0
2. Label cover : PC clear
3. Screws : M3.5 x 25mm, Pan head steel, Nickel plated.
4. Spring :Stainless steel



### Adaptors with Shutter (25mm x 50mm)

Part No.	Description
AKL-25-7110-19	Keystone type
AKL-25-7111-19	Keystone type with Icon

### 45 Degree Adaptors (25mm x 50mm), Color Coded Icon (9mm x 6mm)

Part No.	Description
AKL-25-7101-19	Keystone type
AKL-25-7102-19	Keystone type with Icon
AKL-25-7103-19	Blank (25mm x 50mm)
AKL-25-7109-19	Blank (12.5mm x 50mm)
AKL-25-7104-19	SC type
AKL-25-7105-19	SC type with Icon
AKL-25-7106-19	ST type
AKL-25-7107-19	ST type with Icon
AKL-27-1000-05	Icon (C5e -mark) Green color
AKL-27-1001-02	Icon (Tel -mark) Red color
AKL-27-1002-06	Icon (Computer -mark) Blue color
AKL-27-1003-05	Icon (Cat.6 -mark) Green color



### Surround Faceplate U.S. Style

Part No.	Description
AKL-25-5000-19	Single Gang 3 port (50mm x 75mm)



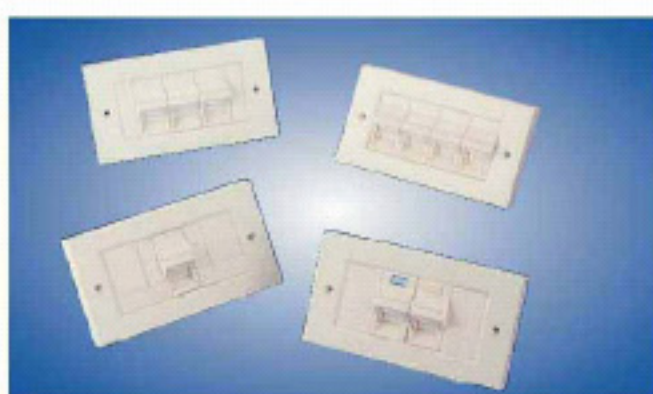
### Surround Faceplate U.K. Style

Part No.	Description
AKL-25-7000-19	Single Gang 2 port (50mm x 50mm)
AKL-25-8100-19	Double Gang 4 port (50mm x 100mm)



### 45 degree Single Gang Faceplate U.S. Style

Part No.	Description
AKL-25-5001-19	1 port 45 degree faceplate
AKL-25-5002-19	2 port 45 degree faceplate
AKL-25-5003-19	3 port 45 degree faceplate
AKL-25-5101-19	1 port 180 degree faceplate
AKL-25-5102-19	2 port 180 degree faceplate
AKL-25-5103-19	3 port 180 degree faceplate



### 45 degree Double Gang Faceplate U.K. Style

Part No.	Description
AKL-25-8101-19	1 port 45 degree faceplate
AKL-25-8102-19	2 port 45 degree faceplate
AKL-25-8103-19	3 port 45 degree faceplate
AKL-25-8104-19	4 port 45 degree faceplate
AKL-25-8111-19	1 port 45 degree faceplate w/icon
AKL-25-8112-19	2 port 45 degree faceplate w/icon
AKL-25-8113-19	3 port 45 degree faceplate w/icon
AKL-25-8114-19	4 port 45 degree faceplate w/icon



### Single Gang Faceplate U.K. Style

Part No.	Description
AKL-25-7003-19	1 port faceplate
AKL-25-7004-19	2 port faceplate
AKL-25-7013-19	1 port faceplate with Icon
AKL-25-7014-19	2 port faceplate with Icon

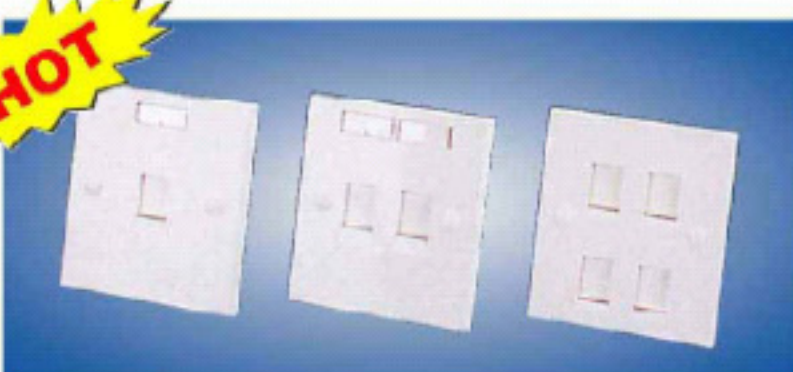


### 45 degree Single Gang Faceplate U.K. Style

Part No.	Description
AKL-25-7000-19	1 port 45 degree faceplate
AKL-25-7002-19	2 port 45 degree faceplate
AKL-25-7011-19	1 port 45 degree faceplate w/icon
AKL-25-7012-19	2 port 45 degree faceplate w/icon

## European Style Faceplate

**HOT**



### Flush Faceplate with shutter (86 x 86 x 10mm)

Part No.	Description
AKL-25-6101-19	1 port faceplate
AKL-25-6102-19	2 port faceplate
AKL-25-6104-19	4 port faceplate



### European Faceplate with Shutter Surround Style (86 x 86 x 13mm)

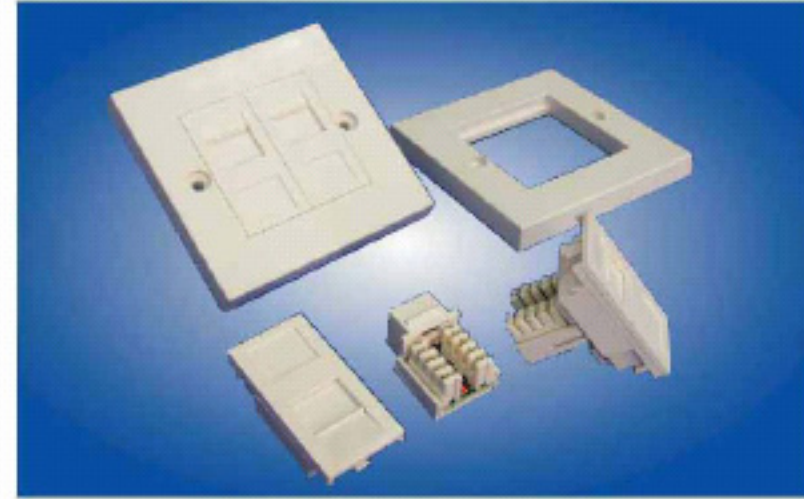
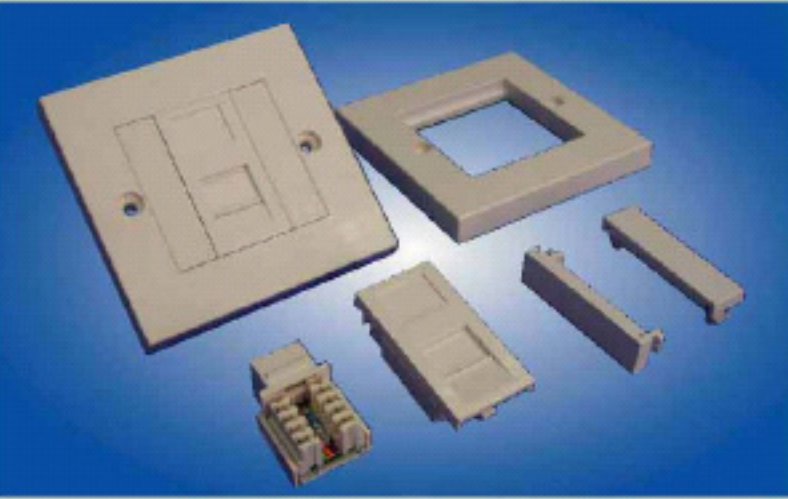
Part No.	Description
AKL-25-7005-39	1 port faceplate
AKL-25-7006-39	2 port faceplate
AKL-25-7015-39	1 port faceplate with Icon
AKL-25-7016-39	2 port faceplate with Icon



### France Faceplate (80 x 80 x 13mm)

Part No.	Description
AKL-25-1201-39	1 port faceplate
AKL-25-1202-39	2 port faceplate

# Cat.5e & Cat.6 Face Plates Series



**1 Port D TYPE (Can Update To 2 Ports)**

**1 Port D TYPE**

**1 Port D TYPE**

**KKGM-001-D**

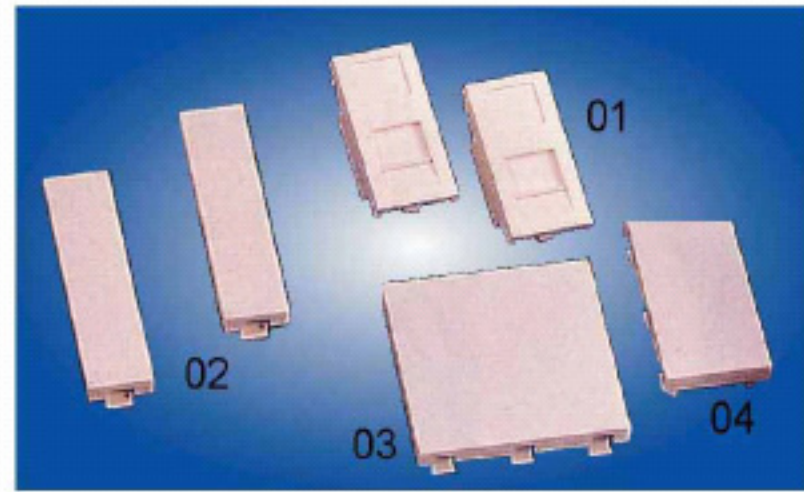
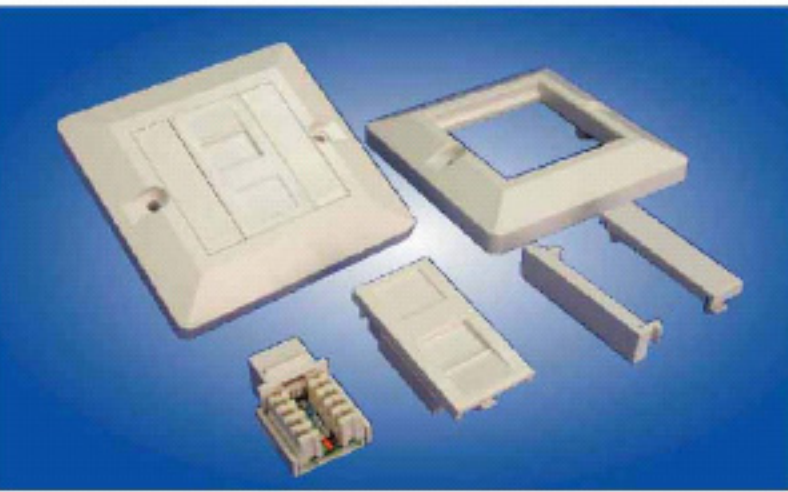
**KKGM-001-D/1**

**KKGM-002-D**

- 1 Port D TYPE Cat.5e / 6 face plate with Shutter D Type face plate (86x86mm)
- + 1 pc keystone bracket
- + 1 pc Cat.5e / 6 keystone jack dual type
- + 2 pcs blank bracket (12.5x50mm)
- + 2 pcs screws

- 1 Port D TYPE Cat.5e / 6 face plate with Shutter D Type face plate (86x86mm)
- + 1 pc keystone bracket
- + 1 pc Cat.5e / 6 keystone jack dual type
- + 2 pcs screws

- 2 Port D TYPE Cat.5e / 6 face plate with Shutter D Type face plate (86x86mm)
- + 2 pcs keystone bracket
- + 2 pcs Cat.5e / 6 keystone jack dual type
- + 2 pcs screws



**KKGM-001-C 1 Port C TYPE**

**KKGM-002-C 2 Port C TYPE**

**KKGM-B01: keystone Bracket for C or F Type Plate**

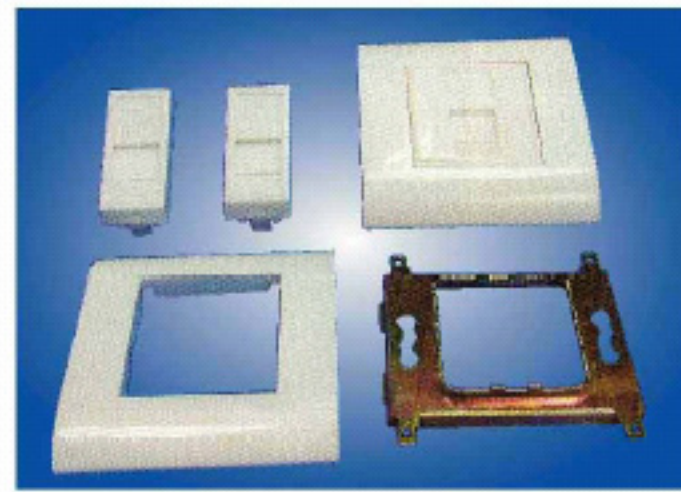
- 1 Port C TYPE Cat.5e / 6 face plate with Shutter C Type face plate (86x86mm)
- + 1 pc keystone bracket
- + 1 pc Cat.5e / 6 keystone jack dual type
- + 2 pcs blank bracket (12.5x50mm)
- + 2 pcs screws

- 2 Port C TYPE Cat.5e / 6 face plate with Shutter C Type face plate (86x86mm)
- + 2 pcs keystone bracket
- + 2 pcs Cat.5e / 6 keystone jack dual type
- + 2 pcs screws

- KKGM-B02:** Blank Bracket (12.5 x 50mm) for C/D/A Type Plate
- KKGM-B03:** Blank Bracket (50 x 50mm) for C/D/A Type Plate
- KKGM-B04:** Blank Bracket (20 x 50mm) for C/D/A Type Plate



- 1 Port A TYPE Cat.5e / 6 face plate with Shutter A Type face plate (86x86mm)
- + 1 pc keystone bracket & 1 pc UK modul keystone
- + 2 pcs blank bracket (12.5x50mm)
- + 2 pcs screws



- 1 Port F TYPE Cat.5e / 6 face plate with Shutter F Type face plate (80x80mm)
- + 1 pc keystone bracket (45x45mm)
- + 1 pc Cat.5e / 6 keystone jack dual type
- + 2 pcs screws

**KKGM-001-A 1 Port A TYPE**

**KKGM-001-F F TYPE**

**(Outdoor Type available)**



- 2 Port A TYPE Cat.5e / 6 face plate with Shutter A Type face plate (86x86mm)
- + 2 pcs keystone bracket & 2 pcs UK modul keystone
- + 2 pcs screws



- 2 Port F TYPE Cat.5e / 6 face plate with Shutter F Type face plate (80x80mm)
- + 2 pcs keystone bracket (22.5x45mm)
- + 2 pcs Cat.5e / 6 keystone jack dual type
- + 2 pcs screws

**KKGM-002-A 2 Port A TYPE**

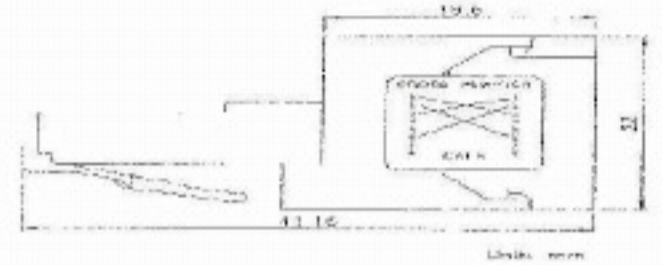
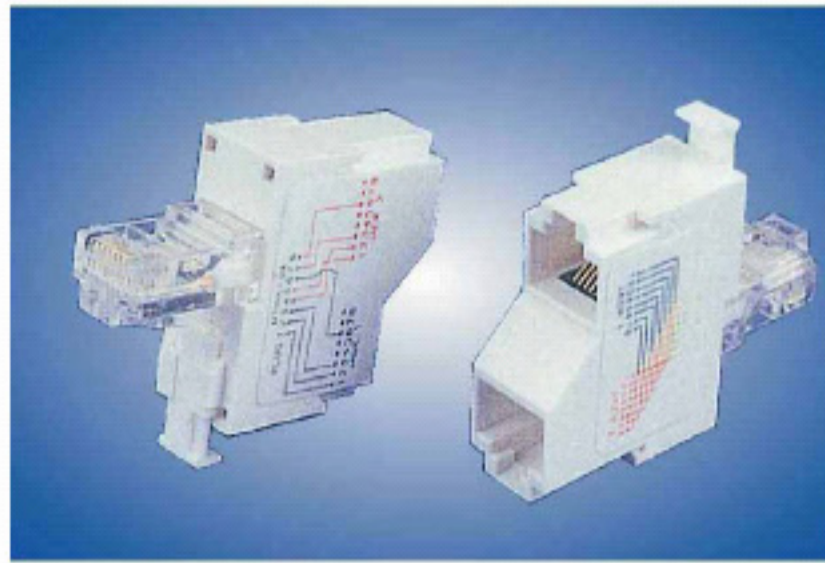
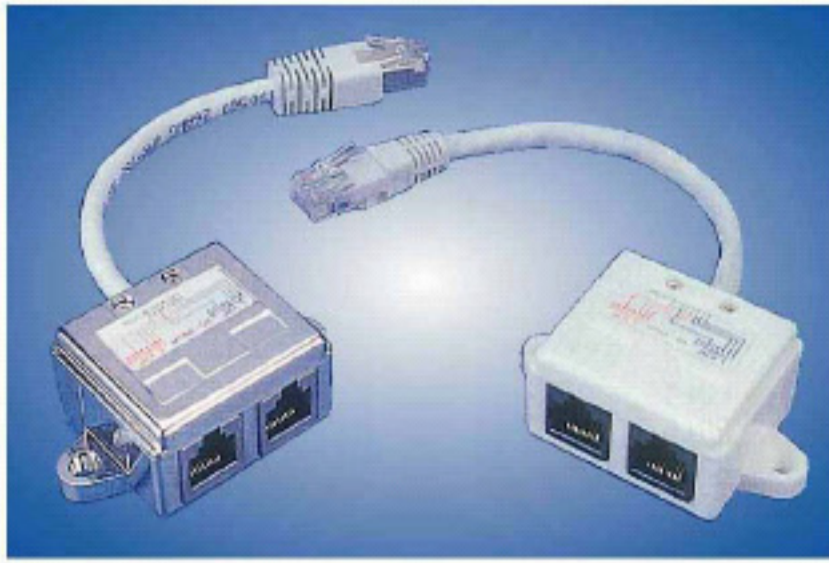
**KKGM-002-F**

**(Outdoor Type available)**

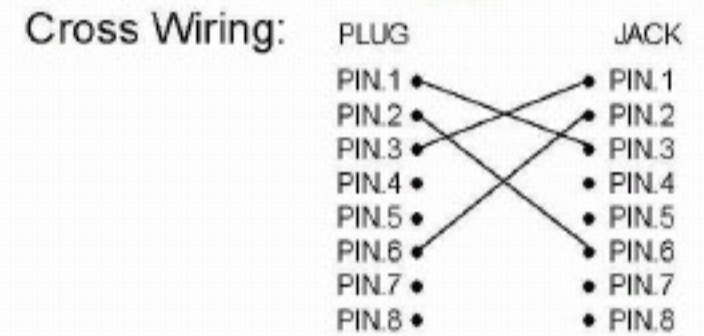
With Hook for Outdoor

# Cat.5E Wiring adaptor

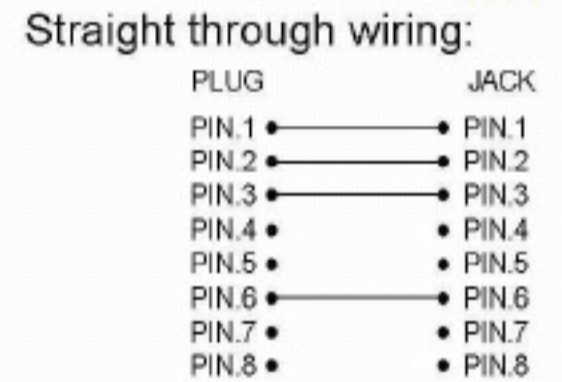
## Cat.5E Modular "T & Y" Wiring Adaptor



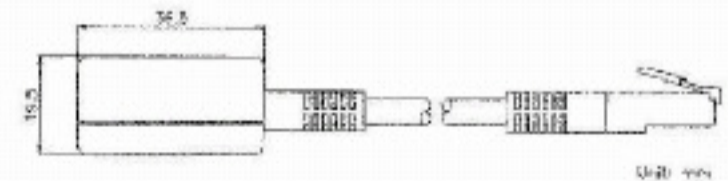
### Cat.5 Adaptor, Male to Female AKJ10-C5-US / WH



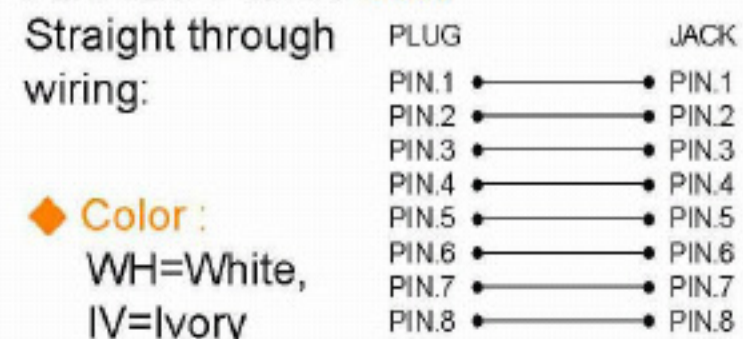
### AKJ10A-C5-US / WH



◆ Color: WH=White, IV=Ivory



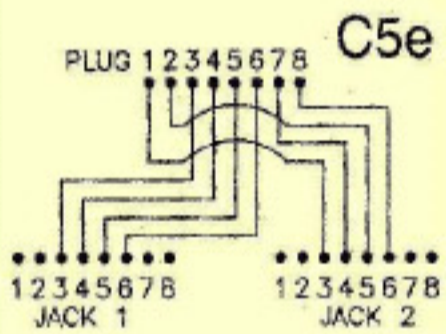
### Cat.5E Adaptor, Male to Female AKE331-CE / WH



◆ Color: WH=White, IV=Ivory

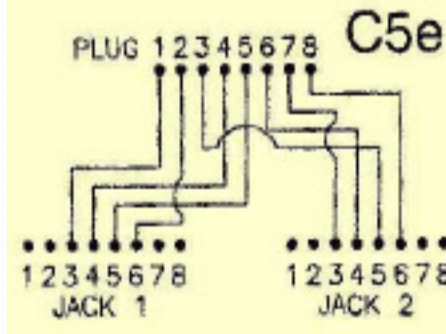
#### AMYWA-01/AMTWA-01

Splits a 4-pair USOC plug, pairs 1&2 to jack 1 and pairs 3&4 to jack 2, for Token Ring or voice application at either jacks.



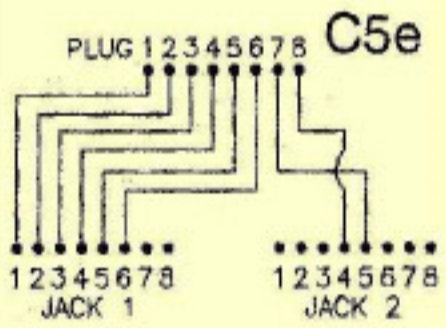
#### AMYWA-02/AMTWA-02

Splits a 4-pair T568B plug, pairs 1&2 to jack 1 and pairs 3&4 to jack 2, for Token Ring or voice application at either jacks.



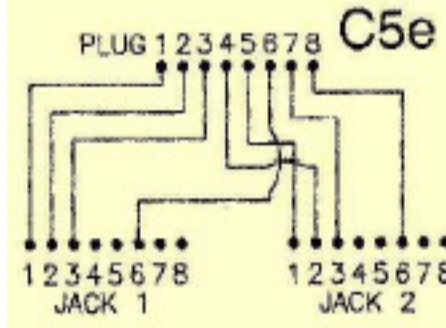
#### AMYWA-03/AMTWA-03

Splits a 4-pair T568B plug, pairs 1, 2, and 3 to jack 1 (356A) and pairs 4 to jack 2, for 1, 2, or 3-pair voice (jack 1) and 1-pair voice/modem (jack 2).



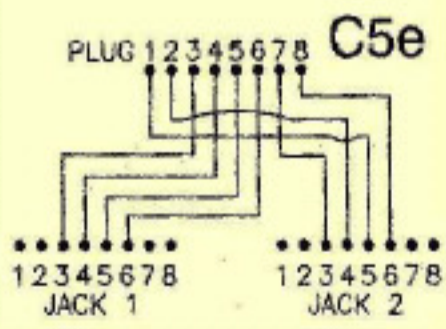
#### AMYWA-04/AMTWA-04

Splits a 4-pair T568A/T568B plug, pair 2&3 to jack 1 and pairs 1&4 to jack 2, for 100Base-T applications at either jack.



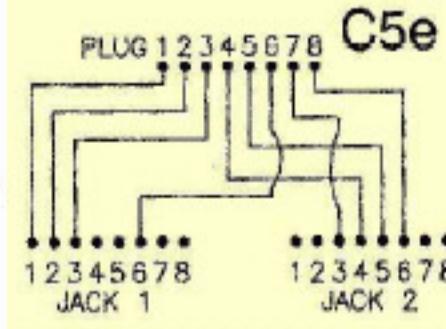
#### AMYWA-05/AMTWA-05

Splits a 4-pair T568A plug, pair 1&2, to jack 1 and pairs 3&4 to jack 2, for Token Ring or voice application at either jack.



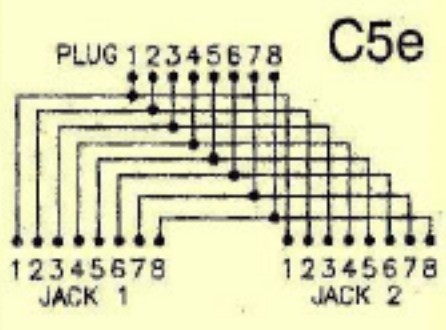
#### AMYWA-06/AMTWA-06

Splits a 4-pair T568A/T568B plug, pairs 2&3 to jack 1 and pair 1&4 to jack 2, for 100Base-T (jack 1) and Token Ring or voice application (jack 2).



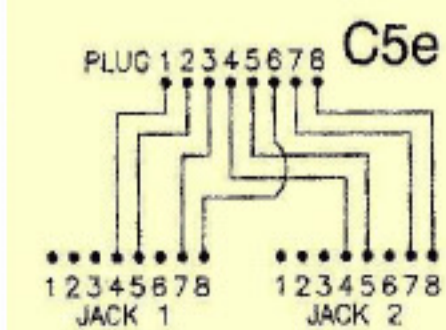
#### AMYWA-07/AMTWA-07

Bridges all jack pairs, compatible with any plug wiring. Provides an additional 4-pair plug with the same wiring.



#### AMYWA-08/AMTWA-08

Splits a 4-pair T568A/T568B plug, pairs 2&3 to jack 1 and pair 1&4 to jack 2.



# Flush Mounted Plate & Box

## Flush Mounted Plate, with optional Icon Slot

**Popular**



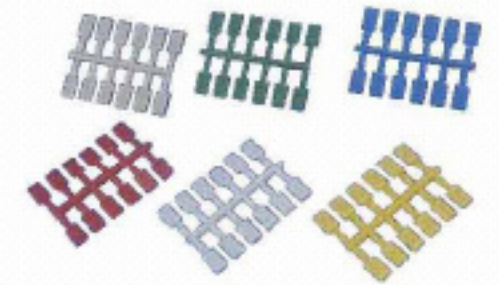
ICON Sticker



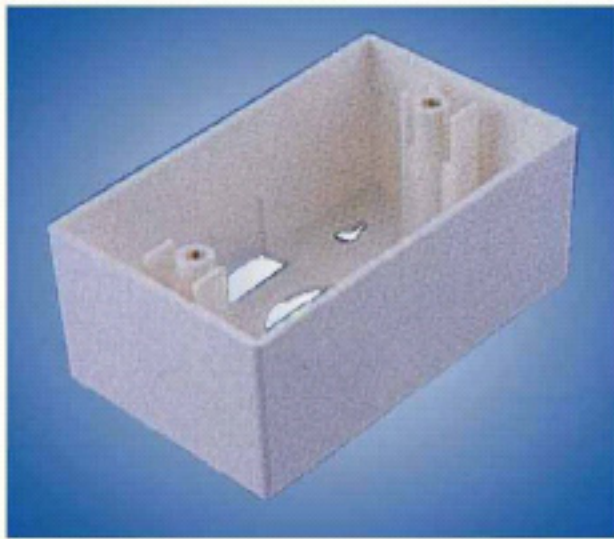
ICON Chip

ICON Slot

Dust Cap

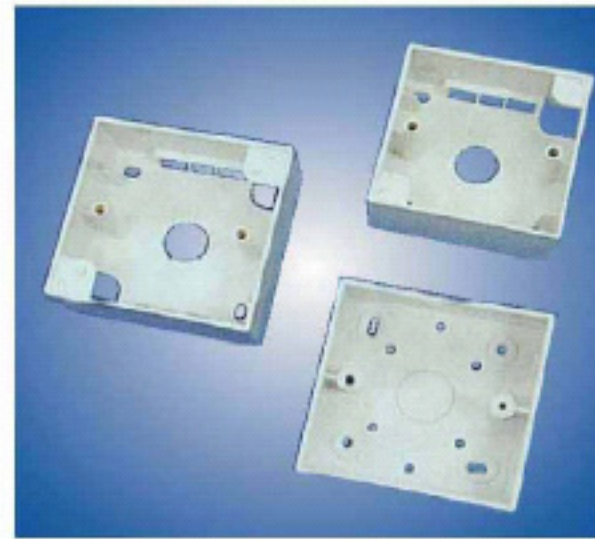


ICON Chip



### Surface Mounted Box

This mounted box can be used with all standard USA flush plate. size:70x114x47mm



### Back Box

**Hot**

#### AKE306WA

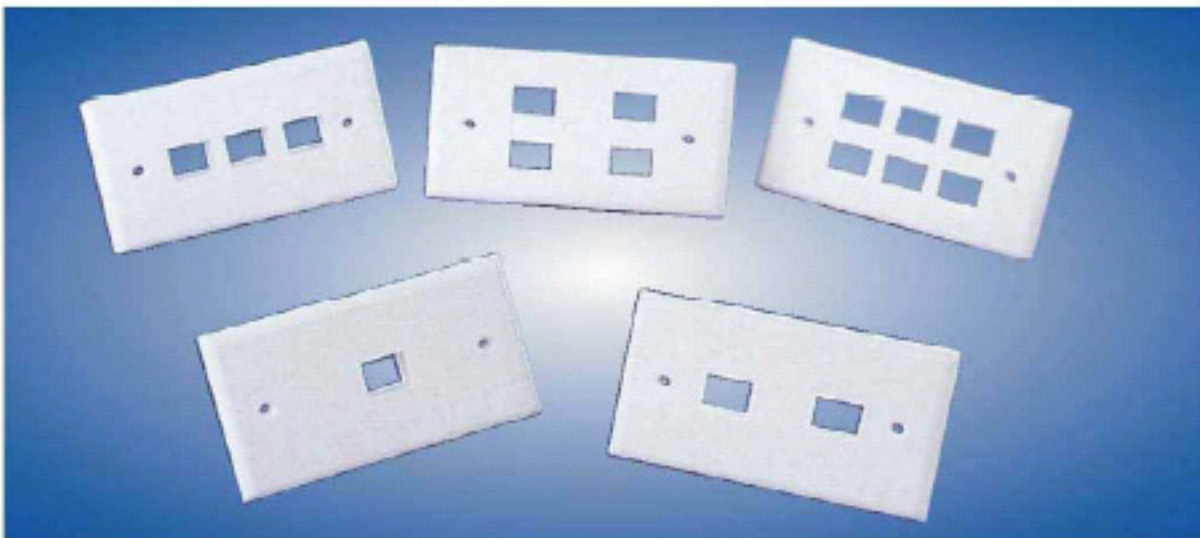
Back Box, L80 x W80 x H42mm

#### AKE306WB

Back Box, L86 x W86 x H42mm

#### AKE337W1

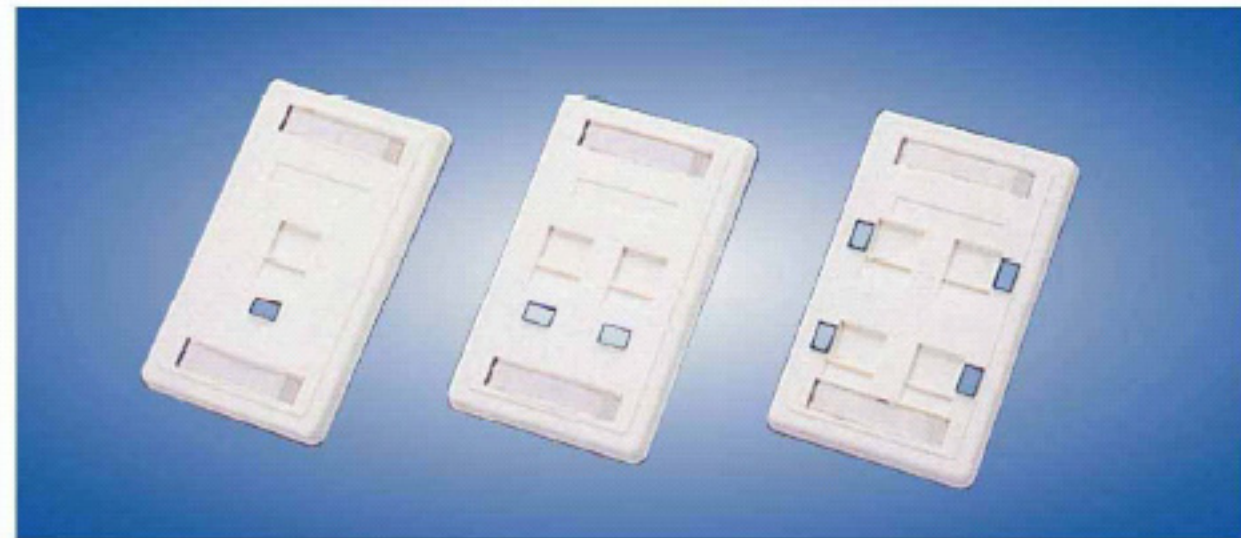
Back Box, L86 x W86 x H32mm



### Flush Faceplate (U.S. Style for keystone type)

(All Smooth)

Part No.	Description
AKL-25-3001-29	1 port U.S. faceplate
AKL-25-3002-29	2 port U.S. faceplate
AKL-25-3003-29	3 port U.S. faceplate
AKL-25-3004-29	4 port U.S. faceplate
AKL-25-3006-29	6 port U.S. faceplate

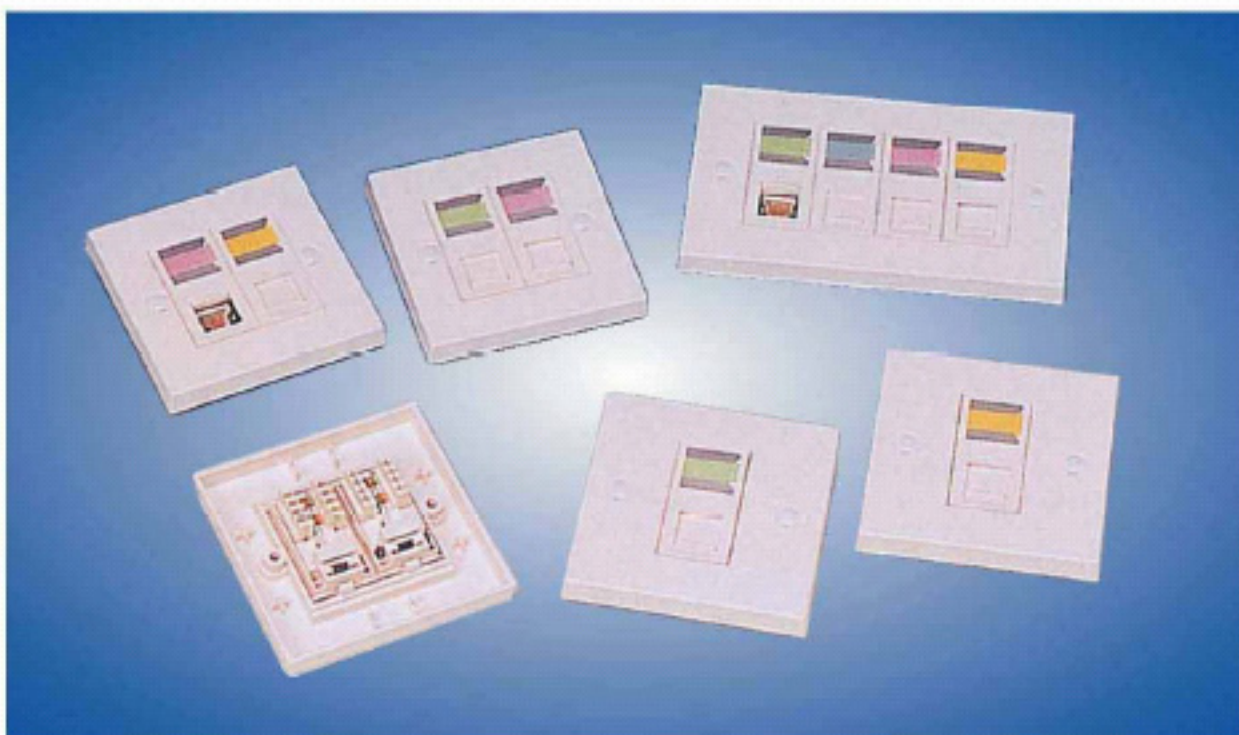


### Faceplate with Shutter (U.S. Style for keystone type)

Part No.	Description
AKL-25-3111-29	1 port U.S. faceplate with Sutter
AKL-25-3112-29	2 port U.S. faceplate with Sutter
AKL-25-3114-29	4 port U.S. faceplate with Sutter

# Colorful Module Face Plates

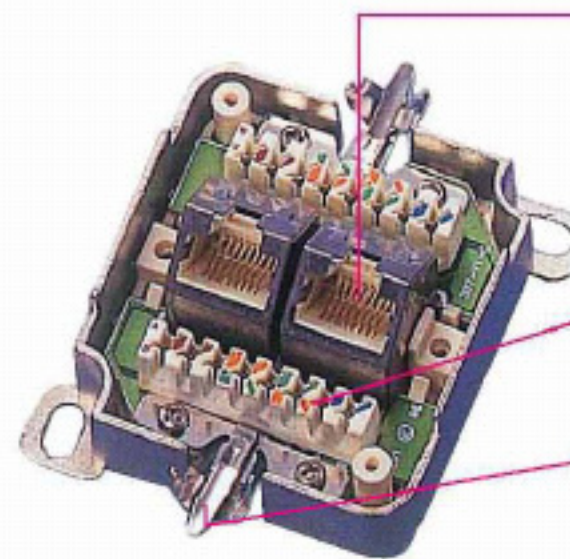
## Cat.5E / 6 Multi-Color Module Face Plate



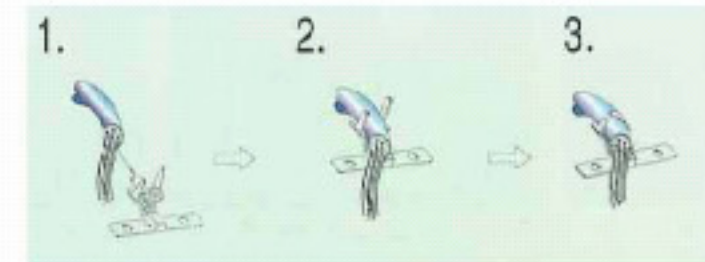
USA STYLE

# German Mounted Box & Flush Plate

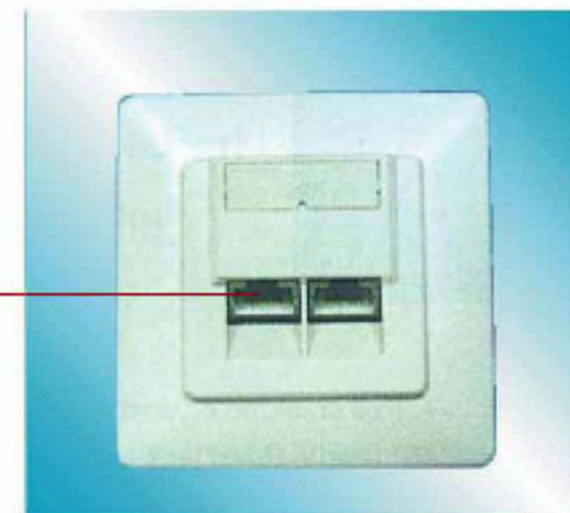
## Cat.5E / 6 German Surface Mounted Box



1. Full shielded or unshielded 45° angle RJ45 jack for plug inserted to save space and cable bend radius
2. Krone terminal block combines 2 wiring print of T568A & B to save stock
3. Cable jacket directly insert into newly design cable clamp to crimp foil & braid shielded for good contact with ground and easy installation

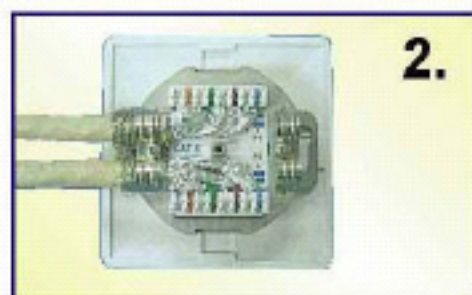


## Cat.5E / 6 German Flush Mounted Plate



1. Full Shielded 45° Angle Jack: RJ45 jack for plug inserted to save space and maintain safe cable bend radius

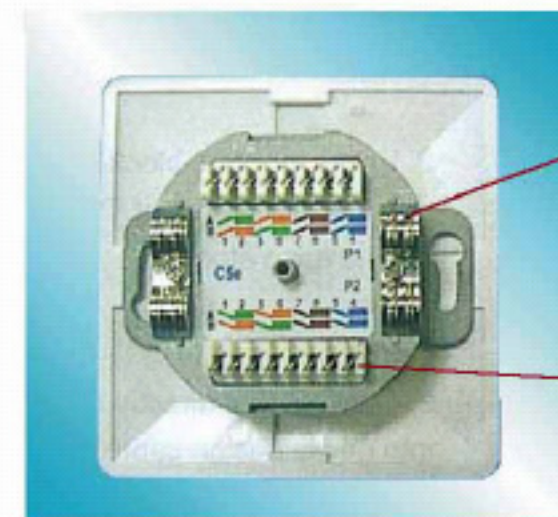
### Installation



Open the metal cover

Punch the wires to the terminal block

Screw the metal cover and finish

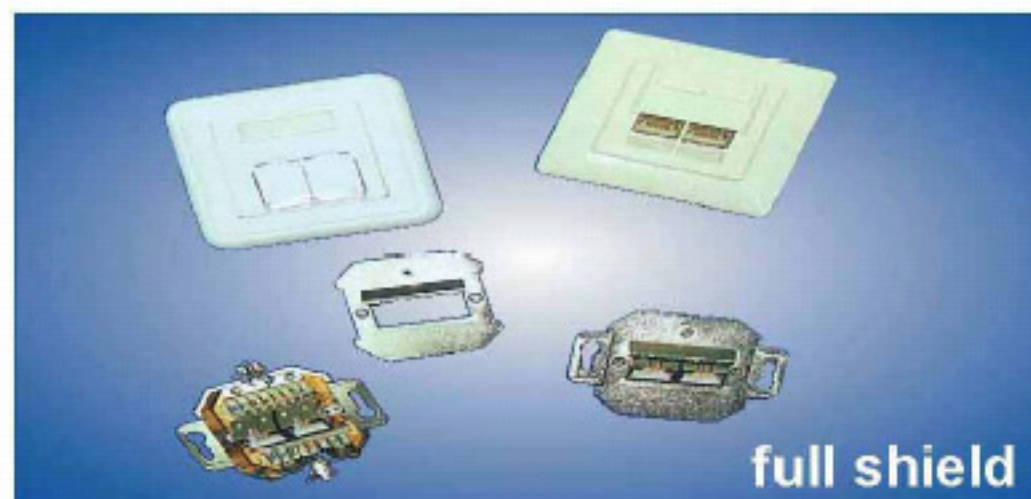


2. Cable Clip: To crimp foil & shielding braid for good contact to ground and easy installation
3. Krone Terminal Block: Combines both T568A & B wiring color code to save stock.

## Cat.5E / 6 German Flush Mounted Plate & Box



Unshield



full shield



Surface Mounted Box