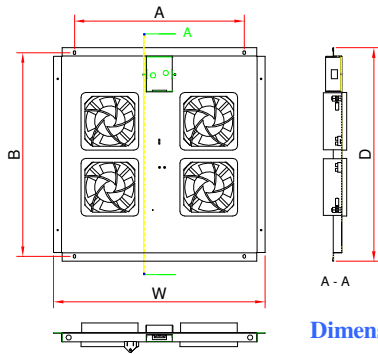


A1/A2/A3/A4/AS/AD Fan unit



Dimension

A1/A2/A3/A4/AS/AD Fan unit

Material :

- SPCC cold rolled steel

Thickness :

- Poewe cord box:1.2mm;
- Fan tray:0.8mm

Surface Finish :

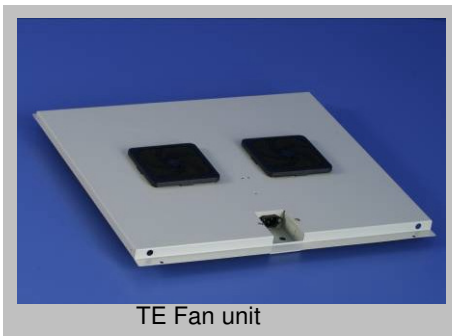
- Degreasing,pickling,phosphoric,powder coated

Color :

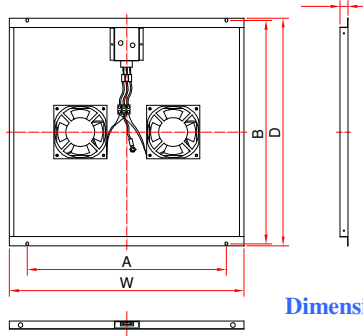
- RAL9004 RAL7035

Specification

Model No.	Specification	Dimension (MM)				Use
		W	D	A	B	
SA.0015.6	Fan unit for 600mm DP A1/A2/A3/A4/AS/AD cabinet:2fans	150	351	160	133	A1/A2/A3/A4/AS/AD 600mm DP cabinet:2 cooling fans
SA.0015.8	Fan unit for 800mm DP A1/A2/A3/A4/AS/AD cabinet:4fans	150	551	160	133	A1/A2/A3/A4/AS/AD 800mm DP cabinet:4 cooling fans
SA.0015.9	Fan unit for 900mm DP A1/A2/A3/A4/AS/AD cabinet:4fans	150	651	160	133	A1/A2/A3/A4/AS/AD 900mm DP cabinet:4 cooling fans
SA.0015.1	Fan unit for 1000mm DP A1/A2/A3/A4/AS/AD cabinet:4fans	150	751	160	133	A1/A2/A3/A4/AS/AD 1000mm DP cabinet:4 cooling fans



TE Fan unit



Dimension

TE Fan unit

Material :

- SPCC cold rolled steel

Thickness :

- Poewe cord box:1.2mm;
- Fan tray:0.8mm

Surface Finish :

- Degreasing,pickling,phosphoric,powder coated

Color :

- RAL9004 RAL7035

Specification

Model No.	Specification	Dimension(MM)				Use
		W	D	A	B	
SA.0016.6	Fan unit for 600mm DP TE cabinet:2fans	530	513	450	503.6	TE 600mm DP cabinet:2 cooling fans
SA.0016.8	Fan unit for 800mm DP TE cabinet:2fans	530	713	450	703.6	TE 800 mm DP cabinet:2 cooling fans
SA.0016.9	Fan unit for 900mm DP TE cabinet:2fans	530	813	450	803.6	TE 900 mm DP cabinet:2 cooling fans
SA.0045.6	Fan unit for 600mm DP TE cabinet:4fans	530	513	450	503.6	TE 600 mm DP cabinet:4 cooling fans
SA.0045.8	Fan unit for 800mm DP TE cabinet:4fans	530	713	450	703.6	TE 800 mm DP cabinet:4 cooling fans
SA.0046.6	Fan unit for 600mm DP TE cabinet:6fans	530	513	450	503.6	TE 600 mm DP cabinet:6 cooling fans
SA.0046.8	Fan unit for 800mm DP TE cabinet:6fans	530	713	450	703.6	TE 800 mm DP cabinet:6 cooling fans

Specification of cable plug

Model No.	Specification	V	A	Remark
SA. . 1	UL-type	110V	10A	Overseas market
SA. . 2	German-type	220V	16A	Overseas market
SA. . 3	UK-type	220V	13A	Overseas market
SA. . 4	All-usage	220V	10A	Overseas market

Definition of color

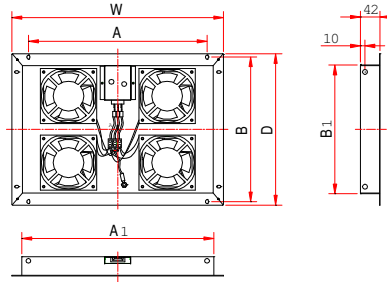
Model No.	color
SA. . 1	RAL9004
SA. . 2	RAL7035

Color

RAL9004	RAL7035



Fan unit for KB



Fan unit for KB

Material :

- SPCC cold rolled steel

Thickness :

- Plug box 1.2mm;Fanuint panel 0.8mm

Surface Finish:

- Degreasing,picking,phosphoric, powder coated

Standard color:

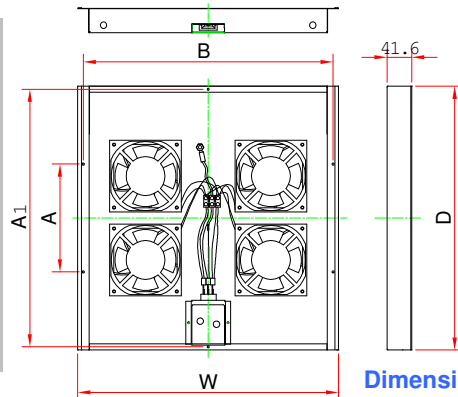
- RAL9004 RAL7035

Specification

Model No.	Specification	Dimension (MM)						Use
		W	D	A	B	A1	B1	
SA.0017.2	Fan unit for KB:2fans	450	200	380	185	408	150	2 AC fans for lower 800-depth KB
SA.0017.4	Fan unit for KB:4fans	450	330	380	315	408	280	4 AC fans for lower 800-depth KB



Fan unit for EB



Fan unit for EB Material :

- SPCC cold rolled steel

Thickness :

- Plug box 1.2mm;Fanuint panel 0.8mm

Surface Finish:

- Degreasing,picking,phosphoric, powder coated

Standard color:

- RAL9004 RAL7035

Specification

Model No.	Specification	Dimension(MM)					Use
		W	D	A	B	A1	
SA.0044.2	Fan unit for EB:2fans	436	160	0	418	150	2 AC fans for EB
SA.0044.4	Fan unit for EB:4fans	436	300	140	418	290	4 AC fans for EB
SA.0044.6	Fan unit for EB:6fans	436	440	280	418	430	6 AC fans for 900/1000-depth EB

Specification of plug of wire

Model No.	Type of wire	V	A
SA. . 0	All-usega	220V	10A
SA. . 1	UL	110V	10A
SA. . 2	Germany	220V	16A
SA. . 3	UK	220V	13A

Definition of color

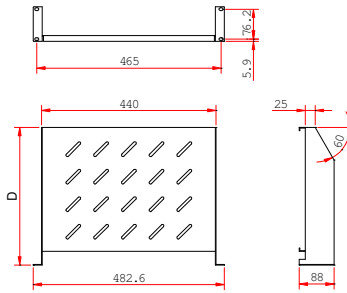
Model No.	Color
SA. . 1	RAL9004
SA. . 2	RAL7035

Color

RAL9004	RAL7035



Cantilever shelf - I



Cantilever shelf - I

Material :

- SPCC cold rolled steel

Surface Finish:

- Degreasing,picking,phosporic,powder coated

Standard color:

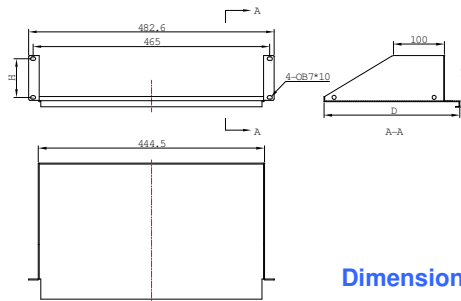
- RAL9004
- RAL7035

Specification

Model No.	Specification	Dimension-Depth(MM)	Thickness (MM)	Remark
SA.0009.45	45 Cantilever shelf - I	300	1.5	
SA.0009.60	60 Cantilever shelf - I	350	1.5	
SA.0009.80	80 Cantilever shelf - I	550	1.5	
SA.0009.96	100 Cantilever shelf - I	710	1.5	



Cantilever shelf - II



Dimension

Cantilever shelf - II

Material :

- SPCC cold rolled steel

Surface Finish:

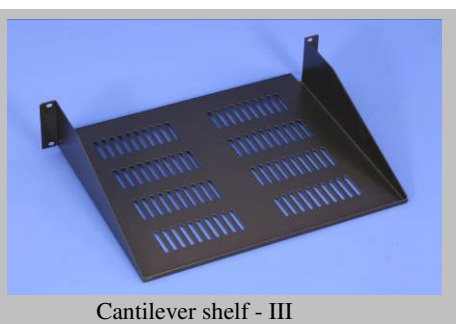
- Degreasing,picking,phosporic, powder coated

Standard color:

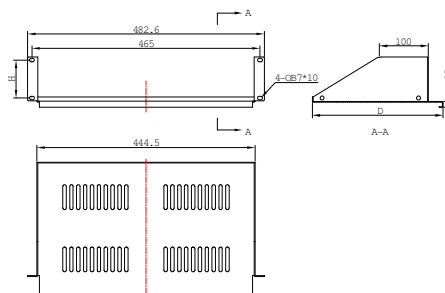
- RAL9004
- RAL7035

Specification

Model No.	Specification	Dimension-Depth(MM)	H(MM)	Thickness (MM)	Remark
SA.0051.00	DP cantilever shelf - II	266.7	31.8	1.5	
SA.0051.01	DP cantilever shelf - II	381	31.8	1.5	
SA.0051.02	DP cantilever shelf - II	266.7	76.2	1.5	
SA.0051.03	DP cantilever shelf - II	381	76.2	1.5	



Cantilever shelf - III



Cantilever shelf - III

Material :

- SPCC cold rolled steel

Surface Finish:

- Degreasing,picking,phosporic, powder coated

Standard color:

- RAL9004
- RAL7035

Specification

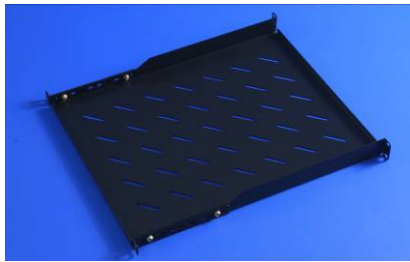
Model No.	Specification	Dimension-Depth(MM)	H(MM)	Thickness (MM)	Remark
SA.0052.00	DP cantilever shelf - III	266.7	31.8	1.5	
SA.0052.01	DP cantilever shelf - III	381	31.8	1.5	
SA.0052.02	DP cantilever shelf - III	266.7	76.2	1.5	
SA.0052.03	DP cantilever shelf - III	381	76.2	1.5	n

Definition of color

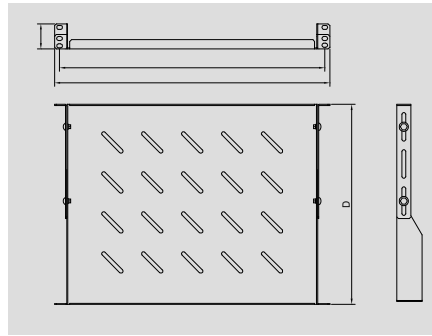
Model No.	Color
SA. . 1	RAL9004
SA. . 2	RAL7035

Color

RAL9004	RAL7035



1U Height Cantilever shelf with mounting ear



1U Height Cantilever shelf with mounting ear

Material :

- SPCC cold rolled steel

Surface Finish:

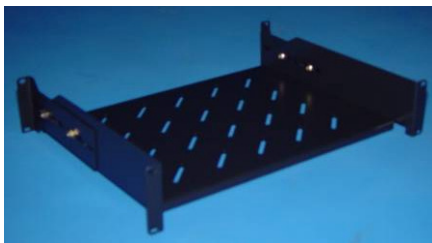
- Degreasing,picking,phosporic,powder coated

Standard color:

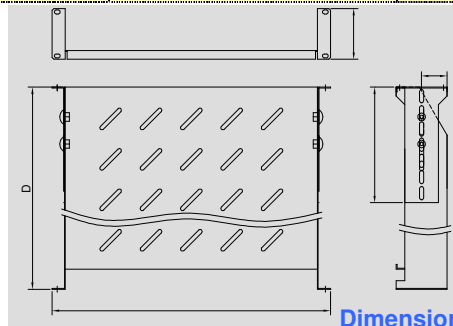
- RAL9004 RAL7035

Specification

Model No.	Specification	Dimension-Depth(MM)	Thickness (MM)	Remark
SA.0055.45	1U 45 Cantilever shelf with mounting ear	300	1.5 & 2.0	installation
SA.0055.60	1U 60 Cantilever shelf with mounting ear	350	1.5 & 2.0	
SA.0055.80	1U 80 Cantilever shelf with mounting ear	550	1.5 & 2.0	
SA.0055.90	1U 90 Cantilever shelf with mounting ear	650	1.5 & 2.0	installation
SA.0055.96	1U 100 Cantilever shelf with mounting ear	710	1.5 & 2.0	installation



2U Height Cantilever shelf with mounting ear



2U Height Cantilever shelf with mounting ear

Material :

- SPCC cold rolled steel

Surface Finish:

- Degreasing,picking,phosporic, powder coated

Standard color:

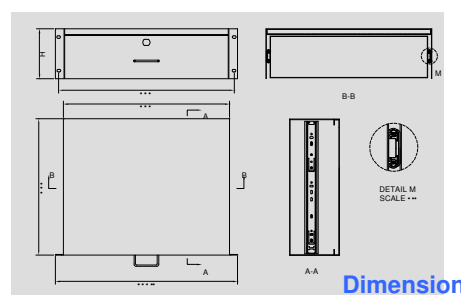
- RAL9004 RAL7035

Specification

Model No.	Specification	Dimension-Depth(MM)	Thickness (MM)	Remark
SA.0056.45	2U 45 Cantilever shelf with mounting ear	300	1.5	installation
SA.0056.60	2U 60 Cantilever shelf with mounting ear	350	1.5	
SA.0056.80	2U 80 Cantilever shelf with mounting ear	550	1.5	
SA.0056.90	2U 90 Cantilever shelf with mounting ear	650	1.5	installation
SA.0056.96	2U 100 Cantilever shelf with mounting ear	710	1.5	installation



Drawer



Drawer

Material :

- SPCC cold rolled steel -section slide

Surface Finish:

- Degreasing,picking,phosporic, powder coated

Standard color:

- RAL9004 RAL7035

Specification

Model No.	Specification	H(MM)	Thickness (MM)	Remark
SA.0019.02	2U Height Drawer	88	1.5 & 1.2	
SA.0019.03	3U Height Drawer	132	1.5 & 1.2	
SA.0019.04	4U Height Drawer	178	1.5 & 1.2	
SA.0019.05	5U Height Drawer	222	1.5 & 1.2	

Definition of color

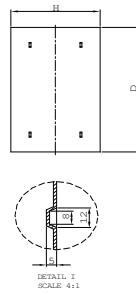
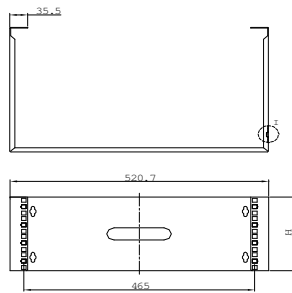
Model No.	Color
SA. . 1	RAL9004
SA. . 2	RAL7035

Color

RAL9004	RAL7035



Wall mount bracket



Dimension

Wall mount bracket

Material :

- Spcc cold rolled steel, Thickness :1.5mm

Surface finish:

- Degreasing,pickling,phosphoric,powder coated

Standard color :

- RAL9004 RAL7035

Specification

Model No.	Specification	Dimension (MM)		Thickness(MM)	Use
		H	D		
SA.0048.04	4U Wall mount bracket	180	304.8	1.5	
SA.0048.06	6U Wall mount bracket	269	304.8	1.5	



1U Brush type cable management

1U Brush type cable management

Material :

- SPCC cold rolled steel, Thickness: 1.2MM

Surface finish:

- Degreasing,picking,phosphoric,powder coated

Standard color:

- RAL9004 RAL7035

Specification

Model No.	Specification	Use
SA.0049.00	1U Brush type cable	With 1 brush

Dimension 482.6*44*12



Cable entry with brush

Cable entry with brush

Material :

- SPCC cold rolled steel, Thickness: 1.2MM

Surface finish:

- Degreasing,picking,phosphoric,powder coated

Standard color:

- RAL9004 RAL7035

Specification

Model No.	Specification	Use
SA.0050.00	Cable entry with brush	With 2 brush

Dimension 395*63*12



Energy saving tube

Energy saving tube

With CE & CCC certification

Specification

Model No.	Specification
SA.0023.000	16W,with 2m power cord & 2 flat pins

Definition of Color

Model No.	Color
SA. . 1	RAL9004
SA. . 2	RAL7035

Color

RAL9004	RAL7035