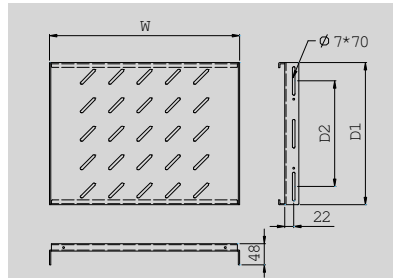


Fixed shelf



**Fixed shelf:**

Used for placing equipment

**Material:**

- t1.2 SPCC cold rolled steel

**Surface Finish:**

- Degreasing pickling  
■ Phosphoric powder coat

**Loading capacity:**

- 60 KG

**Color:**

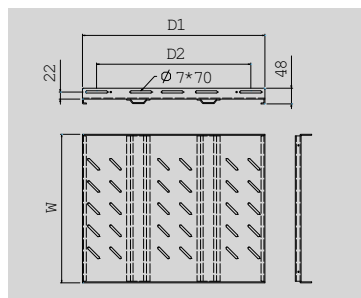
- RAL9004
- RAL7035

**Specification**

Model No.	Specification	Dimension(MM)			Use
		W	D1	D2	
SA.6002.00	60 Fixed shelf	470	350	260	19 installation for 600-depth cabinets
SA.8002.00	80 Fixed shelf	470	550	460	19 installation for 800-depth cabinets
SA.9002.00	90 Fixed shelf	470	650	560	19 installation for 900-depth cabinets
SA.9102.00	100 Fixed shelf	470	710	620	19 installation for 1000-depth cabinets
SA.8602.00	60 Extra-fixed shelf	670	350	260	27 installation for 600-depth cabinets, remove cable management slot and spacer
SA.8802.00	80 Extra-fixed shelf	670	550	460	27 installation for 800-depth cabinets, remove cable management slot and spacer
SA.8902.00	90 Extra-fixed shelf	670	650	560	27 installation for 900-depth cabinets, remove cable management slot and spacer
SA.8102.00	100 Extra-fixed shelf	670	710	520	27 installation for 1000-depth cabinets, remove cable management slot and spacer



Heavy-duty fixed shelf



**Heavy-duty fixed shelf:**

For applications when heavy loads up to 100kg

**Material:**

- SPCC Cold rolled steel t1.2

**Surface Finish:**

- Degreasing pickling  
■ Phosphoric powder coat

**Loading Capacity:**

- 100 KG

**Color:**

- RAL9004
- RAL7035

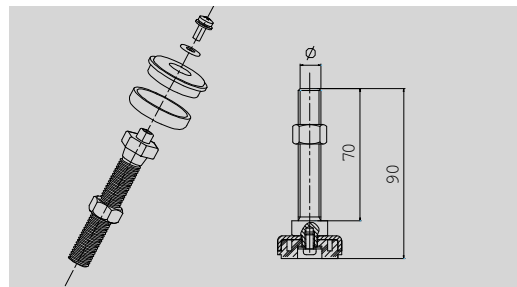
**Specification**

Definition of color: SA. 1:RAL9004 SA. 2:RAL7035

Model No.	Specification	Dimension(MM)			Use
		W	D1	D2	
SA.6003.00	60 Heavy duty fixed shelf	470	350	260	19 installation for 600-depth cabinets
SA.8003.00	80 Heavy duty fixed shelf	470	550	460	19 installation for 800-depth cabinets
SA.9003.00	90 Heavy duty fixed shelf	470	650	560	19 installation for 900-depth cabinets
SA.9103.00	100 Heavy duty fixed shelf	470	710	620	19 installation for 1000-depth cabinets
SA.8603.00	60 Extra-Heavy duty fixed shelf	670	350	260	27 installation for 600-depth cabinets, remove cable management slot and spacer
SA.8803.00	80 Extra-Heavy duty fixed shelf	670	550	460	27 installation for 800-depth cabinets, remove cable management slot and spacer
SA.8903.00	90 Extra-Heavy duty fixed shelf	670	650	560	27 installation for 900-depth cabinets, remove cable management slot and spacer
SA.8103.00	100 Extra-Heavy duty fixed shelf	670	710	520	27 installation for 1000-depth cabinets, remove cable management slot and spacer



Adjustable Feet



**Adjustable Feet**

Support and make cabinet stable

**Material:**

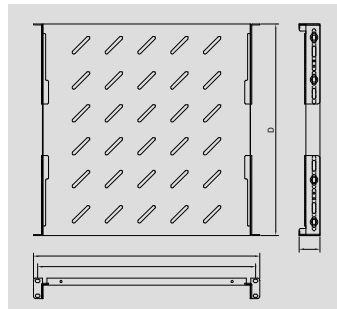
- Steel

**Surface Finish:**

- Carbonic black

**Specification**

Model No.	Specification	Loading Capacity (KG)
SA.0025.010	M10 Feet	280
SA.0025.012	M12 Feet	320



**Fixed shelf with mounting ear:**

Used for placing equipment

**Loading capacity:**

- 60 KG

**Material:**

- t1.2 SPCC cold rolled steel

**Color:**

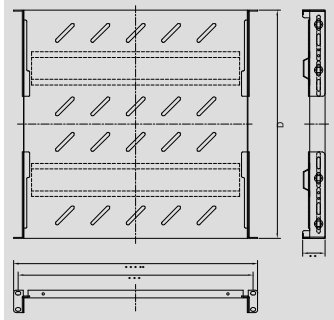
- RAL9004
- RAL7035

**Surface Finish:**

- Degreasing pickling  
phosphoric powder coat

**Specification**

Model No.	Specification	Dimension(MM)		Use
		D		
SA.6002.10	60 Fixed shelf with mounting ear	350		19 installation for 600-depth cabinets
SA.8002.10	80 Fixed shelf with mounting ear	550		19 installation for 800-depth cabinets
SA.9002.10	90 Fixed shelf with mounting ear	650		19 installation for 900-depth cabinets
SA.9102.10	100 Fixed shelf with mounting ear	710		19 installation for 1000-depth cabinets



**Heavy-duty fixed shelf with mounting ear:**

For applications when heavy loads up to 100kg

**Material:**

- SPCC Cold rolled steel t.1.2

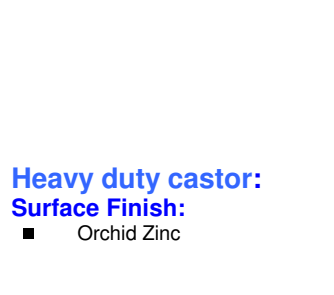
**Surface Finish:**

- Degreasing pickling  
Phosphoric powder coat

**Specification**

Definition of color: SA. 1:RAL9004 SA. 2:RAL7035

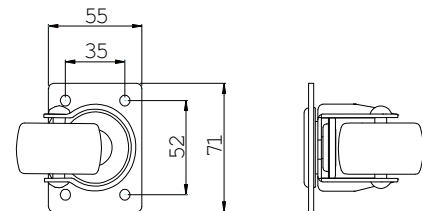
Model No.	Specification	Dimension(MM)		Use
		D		
SA.6003.10	60 Heavy duty fixed shelf with mounting ear	350		19 installation for 600-depth cabinets
SA.8003.10	80 Heavy duty fixed shelf with mounting ear	550		19 installation for 800-depth cabinets
SA.9003.10	90 Heavy duty fixed shelf with mounting ear	650		19 installation for 900-depth cabinets
SA.9103.10	96 Heavy duty fixed shelf with mounting ear	710		19 installation for 960/1000-depth cabinets



**Heavy duty castor:**

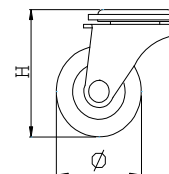
**Surface Finish:**

- Orchid Zinc

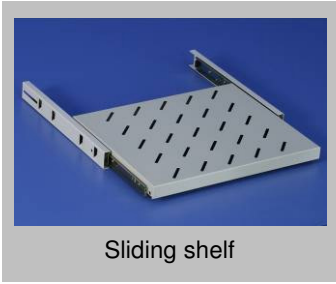


**Specification**

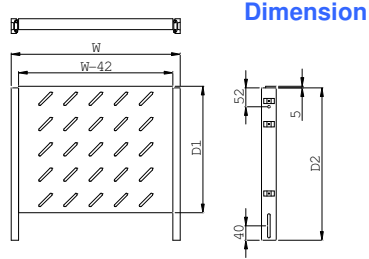
Model No.	Specification	Load (KG)	H	
SA.0026.001	2 heavy duty castor	150	72	50.8
SA.0026.003	2 castor with brake	150	72	50.8
SA.0026.004	2.5 heavy duty castor	150	84.7	63.5
SA.0026.005	2.5 castor with brake	150	84.7	63.5



**Dimension**



Sliding shelf



Dimension

**Sliding shelf**

**Material:**

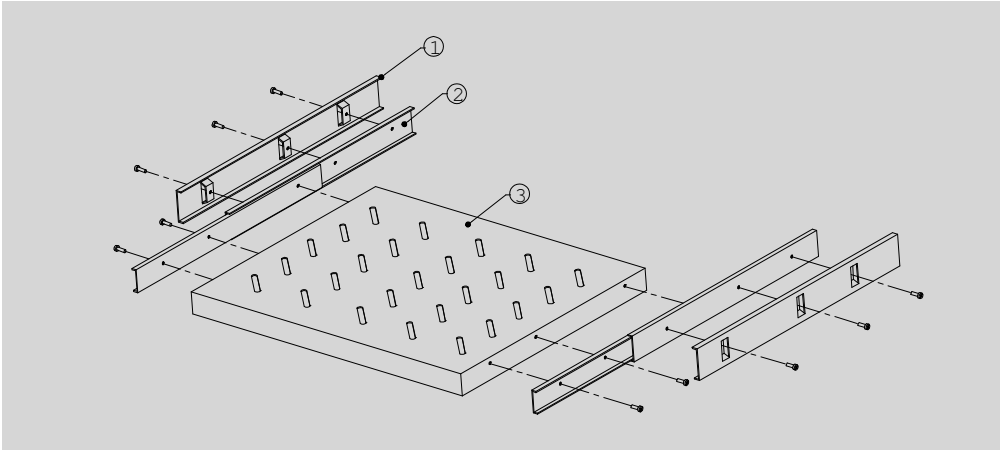
- SPCC cold rolled steel t1.2 /14 2-section slide

**Surface Finish:**

- Degreasing, pickling, phosphoric, powder coated

**Parameter:**

- Flexing length: 210MM Loading capacity: 20KG

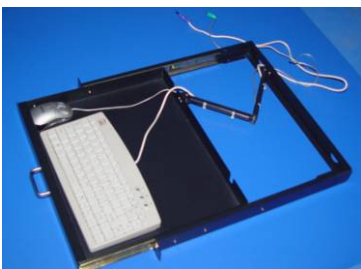


1. Guiding girder
2. 14 2-section slide
3. Sliding loading plate

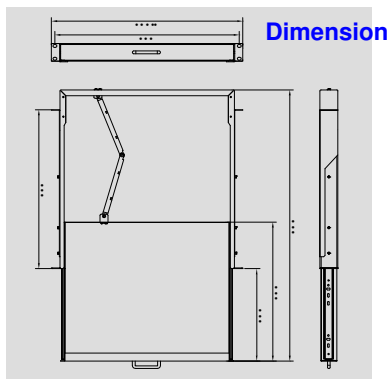
**Specification**

Definition of color: SA. . 1:RAL9004 SA. . 2:RAL7035

Model No.	Specification	Dimension(MM)			Use
		W	D1	D2	
SA.6004.00	60 Sliding shelf	470	350	380	19 installation for 600-depth cabinets
SA.8004.00	80 Sliding shelf	470	550	580	19 installation for 800-depth cabinets
SA.9004.00	90 Sliding shelf	470	650	680	19 installation for 900-depth cabinets
SA.9104.00	100 Sliding shelf	470	710	740	19 installation for 1000-depth cabinets
SA.8604.00	60 Extra-width Sliding shelf	670	350	380	27 installation for 600-depth cabinets, remove cable management slot and spacer
SA.8804.00	80 Extra-width Sliding shelf	670	550	580	27 installation for 800-depth cabinets, remove cable management slot and spacer
SA.8904.00	90 Extra-width Sliding shelf	670	650	680	27 installation for 900-depth cabinets, remove cable management slot and spacer
SA.8104.00	100 Extra-width Sliding shelf	670	710	740	27 installation for 1000-depth cabinets, remove cable management slot and spacer



Adjustable Keyboard panel



Dimension

**Adjustable Keyboard panel**

**Material:**

- SPCC cold rolled steel t1.2 /14 2-section slide

**Surface Finish:**

- Degreasing, pickling, phosphoric, powder coated

**Parameter:**

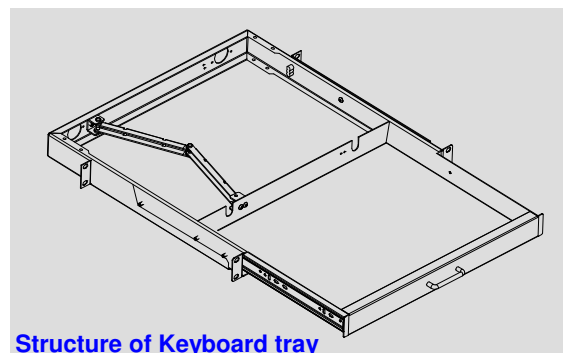
- Flexing length: 210MM Loading capacity: 20KG

**Specification**

Definition of color: SA. . 1:RAL9004

SA. . 2:RAL7035

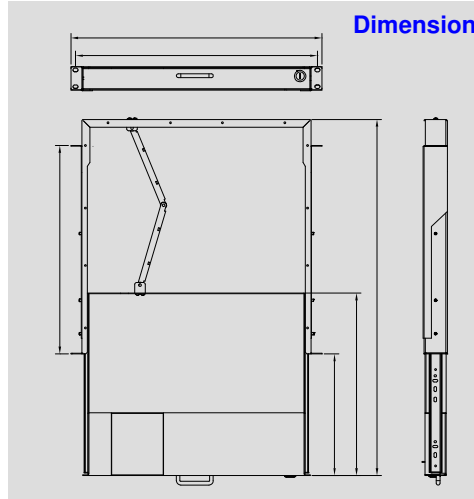
Model No.	Specification	Use
SA.0057.00	Adjustable Keyboard tray	19 installation



Structure of Keyboard tray



Adjustable Keyboard panel with small round lock



**Adjustable Keyboard tray with small round lock**

**Material:**

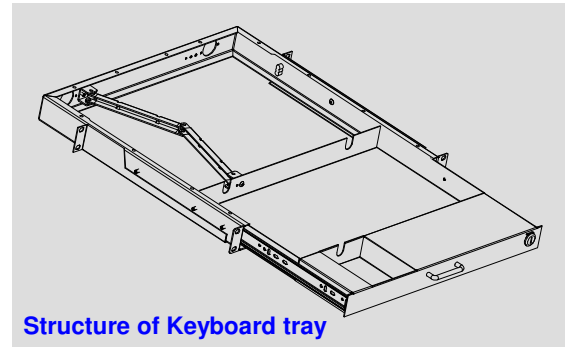
- SPCC cold rolled steel t1.2 /14 2-section slide

**Surface Finish:**

- Degreasing, pickling, phosphoric, powder coated

**Parameter:**

- Flexing length: 210MM Loading capacity: 20KG

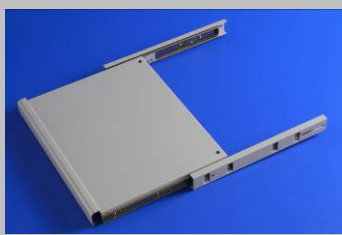


**Structure of Keyboard tray**

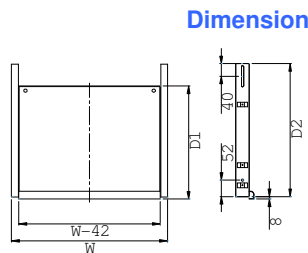
**Specification**

Definition of color: SA. . 1:RAL9004  
SA. . 2:RAL7035

Model No.	Specification	Use
SA.0057.10	Adjustable Keyboard tray with small round lock	19 installation



Keyboard panel



**Keyboard panel**

**Material:**

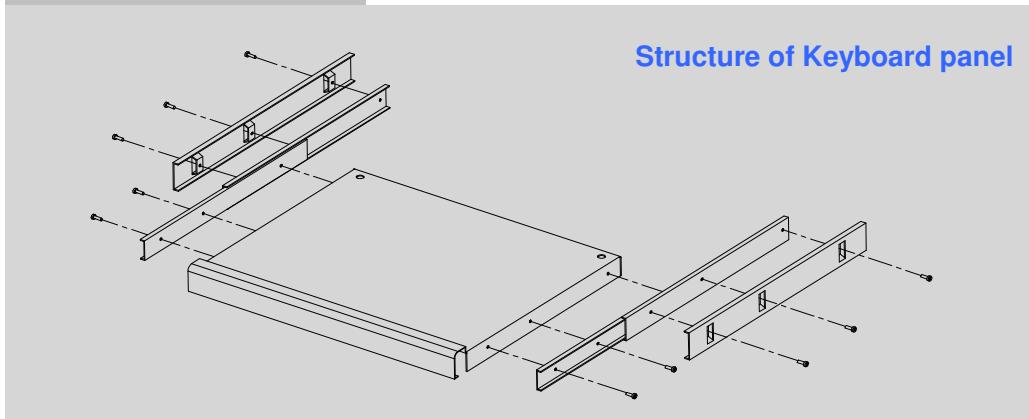
- t SPCC Cold rolled steel/ -section slide

**Surface Finish:**

- Degreasing Pickling Phosphoric Powder coated

**Parameter:**

- Flexing length: mm Loading capacity: KG



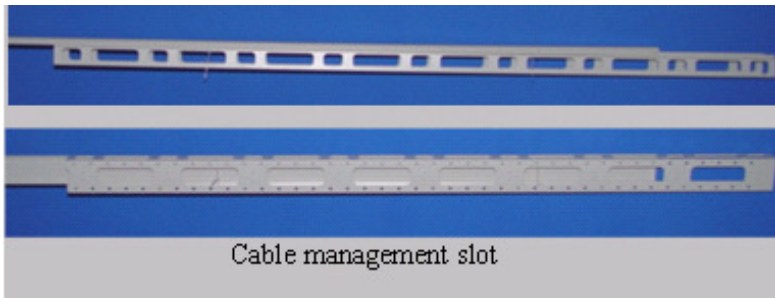
**Structure of Keyboard panel**

1. Guiding girder
2. 14 2-section slide
3. Keyboard loading plate

**Specification**

Definition of color: SA. . 1:RAL9004 SA. . 2:RAL7035

Model No.	Specification	Dimension(MM)			Use
		W	D1	D2	
SA.6005.00	60 Keyboard tray	470	350	380	19 installation for 600-depth cabinets
SA.8005.00	80 Keyboard tray	470	350	580	19 installation for 800-depth cabinets
SA.9005.00	90 Keyboard tray	470	350	680	19 installation for 900-depth cabinets
SA.9105.00	100 Keyboard tray	470	350	740	19 installation for 1000-depth cabinets
SA.8605.00	60 Extra-width Keyboard tray	670	350	380	27 installation for 600-depth cabinets, remove cable management slot and spacer
SA.8805.00	80 Extra-width Keyboard tray	670	350	580	27 installation for 800-depth cabinets, remove cable management slot and spacer
SA.8905.00	90 Extra-width Keyboard tray	670	350	680	27 installation for 900-depth cabinets, remove cable management slot and spacer
SA.8105.00	100 Extra-width Keyboard tray	670	350	740	27 installation for 1000-depth cabinets, remove cable management slot and spacer



**Cable management slot**

**Material:**

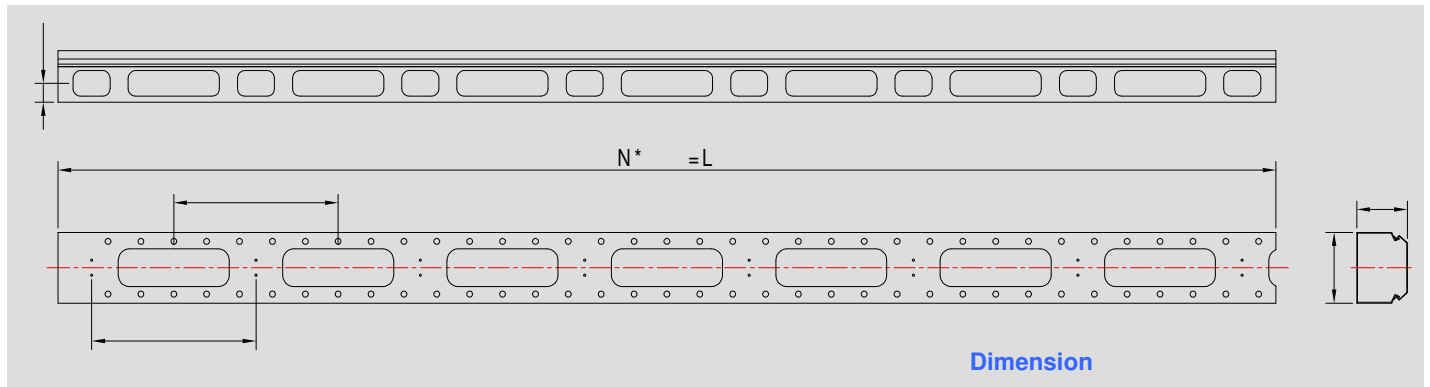
- SPCC Cold rolled steel t1.2

**Surface Finish:**

- Degreasing Pickling Phosphoric Powder coated

**Color:**

- RAL9004 RAL7035



**Specification**

Definition of color: SA.1 :RAL9004 SA.2 :RAL7035

Model No.	Specification	Dimension(MM)	N	Use
		L		
SA. 028.418	18U Cable management slot	802.4	18	A1/A2/T3/T4/AS/AD 800-wdth cabinets and OR open Racks for 18U
SA. 028.422	22U Cable management slot	980.2	22	A1/A2/T3/T4/AS/AD 800-wdth cabinets and OR open Racks for 22U
SA. 028.427	27U Cable management slot	1202.5	27	A1/A2/T3/T4/AS/AD 800-wdth cabinets and OR open Racks for 27U
SA. 028.432	32U Cable management slot	1424.7	32	A1/A2/T3/T4/AS/AD 800-wdth cabinets and OR open Racks for 32U
SA. 028.437	37U Cable management slot	1647	37	A1/A2/T3/T4/AS/AD 800-wdth cabinets and OR open Racks for 37U
SA. 028.442	42U Cable management slot	1869.2	42	A1/A2/T3/T4/AS/AD 800-wdth cabinets and OR open Racks for 42U
SA. 028.447	47U Cable management slot	2091.5	47	A1/A2/T3/T4/AS/AD 800-wdth cabinets and OR open Racks for 47U



**Metal cable management with cap**

**Material:**

- SPCC Cold rolled steel t1.2

**Surface Finish:**

- Degreasing Pickling Phosphoric Powder coat

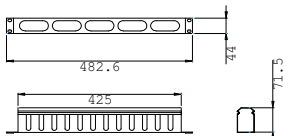
**Color:**

- RAL9004
- RAL7035

**Specification**

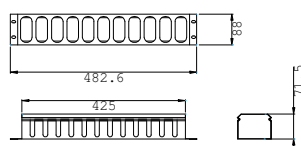
Model No.	Specification	Height(U)
SA.0020.01	1U cable management with cap	1U
SA.0020.02	2U cable management with cap	2U

**Dimension**



1U Metal cable management with cap

**Dimension**



2U Metal cable management with cap

**Color:**

