



Feature:

- Simple structure, easy installation
- Easy cabling & operation
- Disturbing resistance reliable running
- 2-way output.

Function:

control through fan unit.

Degree of Protection:

- IP23

Main parameter

S/N	Specification	Parameter
1	Temperature Range	0~50
2	Input	PTC 10KΩ
3	Output	2-way output
4	Consumption	3W
5	Power supply	220VAC
6	Accuracy	
7	Display	2 way 8 section digital pipe, red
8	Ambient temperature	-10~70
9	Maintain temperature	-20~80
10	Ambient humidity	≤85 RH
11	Installation	19"standard

Instruction

I.Connection / wiring

Steps:

1. Connect the temperature sensor to the sensor of temperature controlling unit.
2. Connect the outside fan to the fan plug with special cable.
3. Connect the outside power to the power plug of temperature controlling unit with special cable.

II.Operation

When complete all the connection steps above and confirm the connection is ok, then turn on the switch on the temperature controller and adjust the control parameter to appropriate temperature.

III. Operation of the temperature controller

1. Look over and set parameter

(1). Look over parameter. Under the state of non-setting, pressing key ▲ show setting value of temperature . Pressing key ▼ display the different between the present temperature and temperature located, 2 seconds later, the screen will show the present temperature.

(2) set parameter

□ method of entering into the state of customer setting: under non-setting state, press " SET " key longer than 5 seconds to enter customer state of setting up, setting indicator to be on and to show the temperature at present.

□ method of temperature setting: under the state of customer setting , press ▲ upwards or ▼ downwards to adjust the temperature. Press one time to adjust 1 degree. It will be changed into rapid adjusting after pressing on it over 2 seconds.

□ The method of exit from the state of customer setting: Press SET key over 5 seconds or no any operation within 30 seconds under state of customer setting, system will store current setting value and return to normal working condition.

Method of entering administrator's menu : under state of non-setting , pressing " SET " and ▲ over 5 seconds at the same time to enter administrator's menu . Then setting light will be on to show the item: F1 to setting.

The method of altering setting items and entering into state of parameter setting : Under setting state, press ▲ upward or ▼ downward to adjust setting item from F0 to F1 .If setting item is F0, it would be invalid to press ▼ .To press ▲ is invalid when setting item is F1. Pressing ▲or ▼ adjust into state of altering parameter of this setting item. Meanwhile, digital tube displays setting practical value this moment.

The method of altering parameter and return to state of setting value : Under state of parameter value ,pressing ▲or ▼ adjust parameter value .pressing ▼ is invalid when parameter value is minimum . When parameter reach max value , pressing ▲ is invalid .

over 5 seconds or no operation within 30 seconds under state of customer setting ,system will store current setting value and return to normal working condition

2.Close and disconnection output relay (turn on and turn off fan)

If practical temperature is higher than setting temperature, generator of fan would be closed. When practical temperature < (setting temperature minus return difference of temperature) generator of fan is disconnection.

When practical temperature is higher than max temperature, alarm relay is closed, monitor displays E2 and buzzer alarm, when practical temperature is lower than max limited temperature, alarm relay disconnected. .

3. The warning function explaining

Alarm for sensor fault: when sensor has errors (short circuit or disconnection), LED shows E1 with flash, buzzer does alarm.

Alarm for minimum value: when measuring value is lower than 0□,LED shows LL with flash .Buzzer does alarm.

Alarm for max limit of temperature: when practical value is higher than max limit of temperature, LED shows E1 with flash. Buzzer does alarm and alarm relay closed.

Eliminated Alarm: Press any key to eliminate alarm sound under alarm condition. But, display and alarm state of relay will not be changed.

4.safety regulation

Danger □ please cut off power when wiring, no working with electricity. □no overloading of relay.

Warning □The voltage of up power should be conformed with it marked on the machine □Only persons with professional qualification are able to install and adjust the machine .

Attention □No use in the humidity environment. No use neither in the strong disturbance for electromagnetism environment nor strong erosion environment. □please keep distance between sensor cable and power cable for avoiding impossible disturbance .

5.Appendix

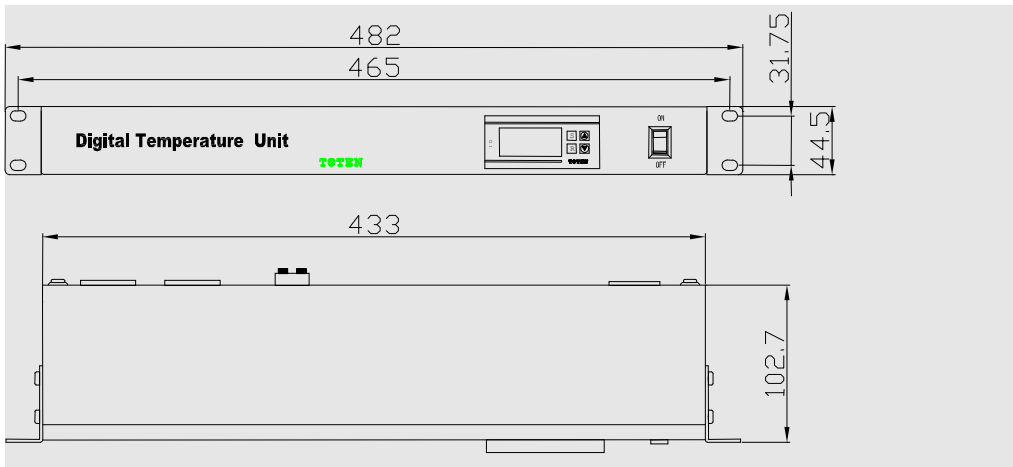
Form 1 form of indicative light state

Indicator of refrigeration	On	Fan works
	Off	Fan stop working
	On	Under state of setting
	Off	Under state of normal working

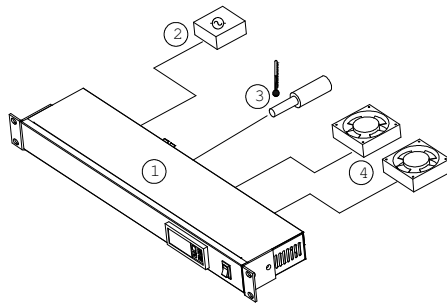
Form 2 administrator menu

Items of Menu setting	Scope of parameter setting	Original parameter setting	Display contents of menu
Return difference	0-50□	1□	F0
Setting of Max limit temperature	0-50□	45□	F1

Dimension



Instruction



1. Temperature controller
2. Power Supply
3. Temperature sensor
4. Fan unit

Main parts

S/N	Specification	Quantity	Unit	Material	Surface Finish	Remark
1	Temperature controller	1	Piece	---	Powder coated	Cover bottom and mounting panel
2	Cable	1	Piece	---	---	---
3	Temperature sensor	1	Piece	---	---	1.2m length
4	M6 Square nut	4	Piece	Steel	Color Zinc	Accessories
5	M6 B-head screw	4	Piece	Steel	Color Zinc	Accessories
6	Allen wrench	1	Piece	Steel	Black	Accessories
7	M4 screw	8	Piece	Steel	Black	Install temperature controller

Definition of color:

Model No.	Color
SA.0039.11	RAL9004
SA.0039.12	RAL7035

Color:

RAL9004	RAL 7035

Definition of plugs in Model No

Model No.	Plug type	Voltage/Frequency	current
SA.0039.1 0	China	220V/50-60Hz	10A
SA.0039.1 1	UL	110V/50-60Hz	10A
SA.0039.1 2	Germany	220V/50-60Hz	16A
SA.0039.1 3	UK	230V/50-60Hz	13A

Power distribution unit:

- Supplied as equipment power
- Multiple specification optional

Parameter:

- 1.8m-length cable
- With or without main switch for power input



6-outlet All-usage PDU(PD.0601.000)



6-outlet UK-type PDU(PD.0602.000)



5-outlet German-type PDU(PD.0504.000)

Power distribution unit:

- Supplied as equipment power
- Design in module
- Multiple socket outlet for all electrical consumptions

Parameter:

- 3m-length cable
- A main switch for power input



6-outlet All-usage PDU(PD.0601.019)



6-outlet UK-type PDU(PD.0602.019)



6-outlet German-type PDU(PD.0604.000)



10-outlet All-usage PDU(PD.1001.000)



10-outlet UK-type PDU(PD.1002.000)

Specification

Model No.	Specification	Remark
PD.0504.00	5-outlet German-type PDU	German-type with main switch,1.8m- /white)
PD.0601.00	6-outlet All-usage PDU	All-usage with main switch,1.8m- /white)
PD.0602.00	6-outlet UK-type PDU	UK-type with main switch,1.8m- /white)
PD.0603.00	6-outlet UL-type PDU	UL-type with main switch,1.8m-leng /white)
PD.0601.019	6-outlet All-usage PDU	with main switch,3.0m-
PD.0602.019	6-outlet UK-type PDU	with main switch,3.0m- lack)
PD.0603.019	6-outlet UL-type PDU	with main switch,3.0m-
PD.0604.000	6-outlet German-type PDU	with main switch,3.0m-
PD.0801.000	8-outlet All-usage PDU	with main switch,3.0m-length cable,without mounting material(only black)
PD.0802.000	8-outlet UK-type PDU	with main switch,3.0m-length cable,without mounting material(only black)
PD.0803.000	8-outlet UL-type PDU	with main switch,3.0m-length cable,without mounting material(only black)
PD.0804.000	8-outlet German-type PDU	with main switch,3.0m-length cable,without mounting material(only black)
PD.1001.000	10-outlet All-usage PDU	with main switch,3.0m-length cable,without mounting material(only black)
PD.1002.000	10-outlet UK-type PDU	with main switch,3.0m-length cable,without mounting material(only black)
PD.1003.000	10-outlet UL-type PDU	with main switch,3.0m-length cable,without mounting material(only black)
PD.1004.000	10-outlet German-type PDU	with main switch,3.0m-length cable,without mounting material(only black)
PD.1201.000	12-outlet All-usage PDU	with main switch,3.0m-length cable,without mounting material(only black)
PD.1202.000	12-outlet UK-type PDU	with main switch,3.0m-length cable,without mounting material(only black)
PD.1203.000	12-outlet UL-type PDU	with main switch,3.0m-length cable,without mounting material(only black)
PD.1204.000	12-outlet German-type PDU	with main switch,3.0m-length cable,without mounting material(only black)
PD.1501.000	15-outlet All-usage PDU	with main switch,3.0m-length cable,without mounting material(only black)
PD.1502.000	15-outlet UK-type PDU	with main switch,3.0m-length cable,without mounting material(only black)
PD.1503.000	15-outlet UL-type PDU	with main switch,3.0m-length cable,without mounting material(only black)
PD.1504.000	15-outlet German-type PDU	with main switch,3.0m-length cable,without mounting material(only black)

Parameter of PDU

Specification	Reference	V/HZ	A	Standard
All-usage		250V/50-60Hz	10A	GB2093.3-1997 China
German-type		250V/50-60Hz	16A	DIN49440 Germany
UL-type		120V/50-60Hz	10A	IEC60906 UL
UK-type		250V/50-60Hz	13A	BS1363 UK

Definition of Color

Model No.	Color
PD. . 1	RAL9004
PD. . 2	RAL7035

Color

RAL9004	RAL7035