

**Standard:**

- Comply with ANSI/EIA RS-310-D, IEC297-2 DIN41491, PART1, DIN41494, PART7 GB/T3047.2-92 standard

**Feature:**

- Modular design, easily assemble and disassemble for delivery, low-cost.
- Various optional accessories according to requirements (cable management slot, removable working panel, etc..).

**Loading Capacity:**

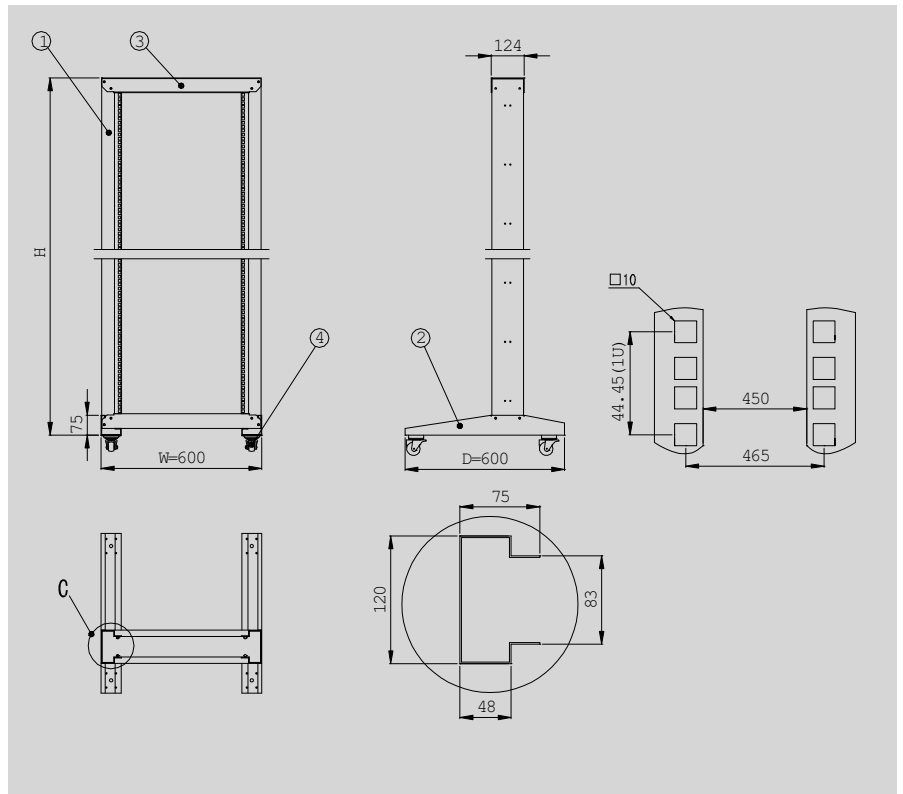
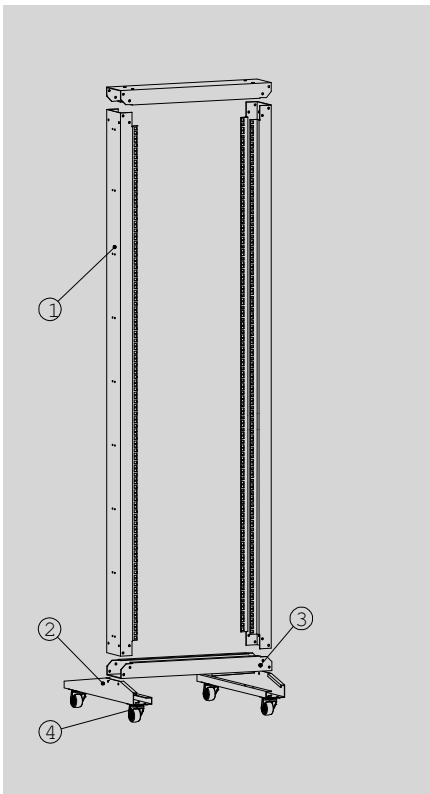
- Static loading: 150KG

**Material:**

- SPCC cold rolled steel
- Thickness: plinth: 2.0mm; Front and bottom beams 2.0mm, Pole: 1.5mm.

**Surface finish:**

- Degreasing, pickling, phosphoric, powder coated



1. Pole 2.Plinth 3.Horizontal beam 4. Heavy duty castor

## Main parts

S/N.	Specification	Quantity	Unit	Material	Surface finish	Remark
1	Pole	2	Piece	SPCC Cold rolled steel t1.5	Powder coated	---
2	Plinth	2	Piece	SPCC Cold rolled steel t2.0	Powder coated	---
3	Horizontal beam	2	Piece	SPCC Cold rolled steel t2.0	Powder coated	---
4		4	Piece	---	---	---
5	Square screw & nut	10	Set	Steel	Color Zinc	---
6	Allen wrench	1	Piece	Steel	Black	---

## Specification:

Model No.	Capacity (U)	Width (mm)	Depth (mm)	Height (mm)	Dimension W*D*H	Volume (CBM)
OR.6622.90	22	600	600	1119	670*150*1149	0.1155
OR.6632.90	32	600	600	1562	670*150*1592	0.1600
OR.6637.90	37	600	600	1785	670*150*1815	0.1824
OR.6642.90	42	600	600	2007	670*150*2037	0.2047
OR.6647.90	47	600	600	2230	670*150*2260	0.2271

## Definition of color

Model No.	Color
OR. . 1	RAL9004
OR. . 2	RAL7035

## Color

RAL9004	RAL7035