



### Standard:

- Comply with ANSI/EIA RS-310-D, DIN41497 part 1, IEC297-2, DIN41494 part 7 GB/T3047.2-92 standard

### Feature:

- Double section welded frame structure;
- Easy operation and maintaining at the back;
- 19 standard installation
- Removable side panels, side locks are optional, easy installing and maintaining
- Cable entry at the top cover and bottom panel;
- 120mm fan optional
- Turning angle of front door is above 180 degrees;
- Turning angle of rear door is above 90 degrees.

### Loading capacity:

- 60KG

### Degree of protection:

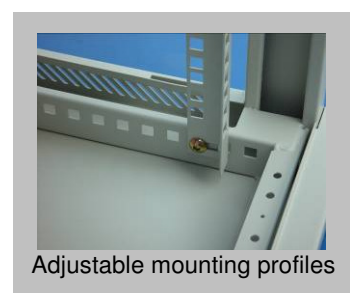
- IP20

### Material:

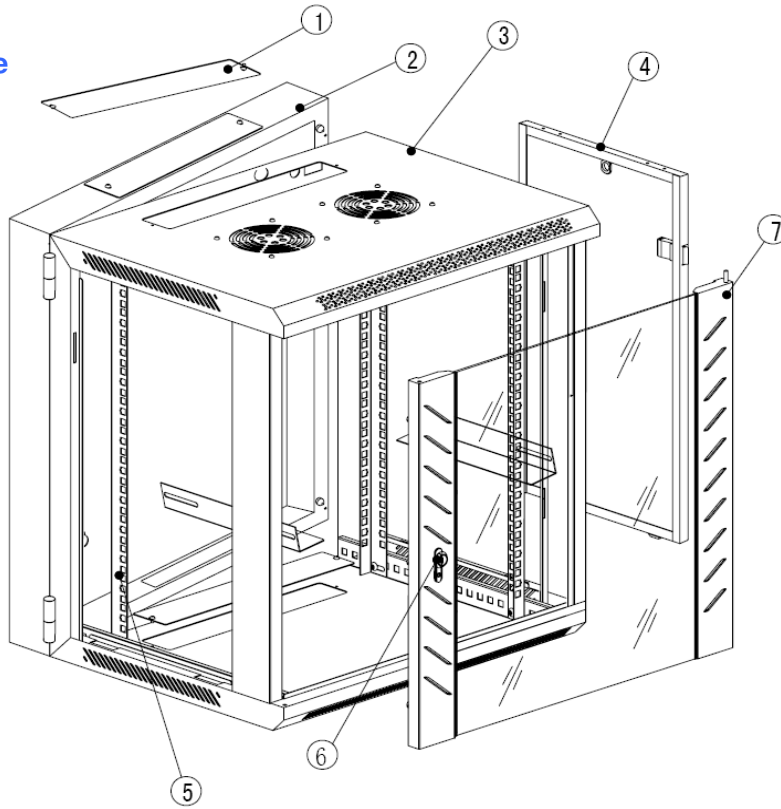
- SPCC cold rolled steel
- Thickness Mounting profile 1.5mm, others 1.2mm

### Surface Finish:

- Degreasing, pickling, phosphoric, powder coated

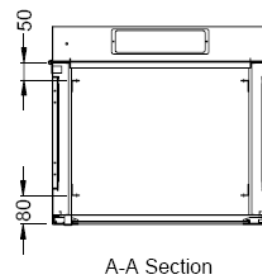
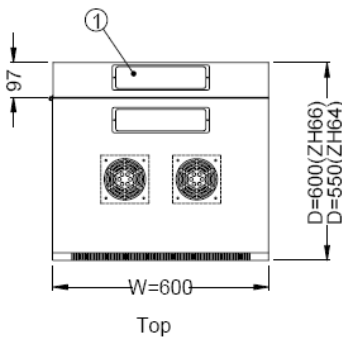
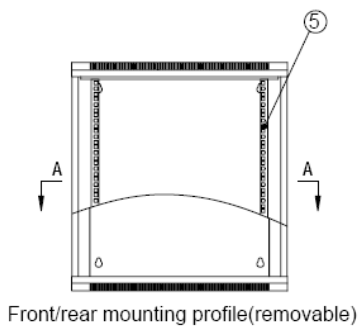
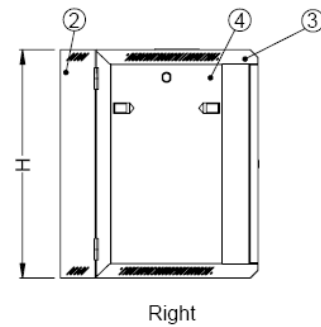
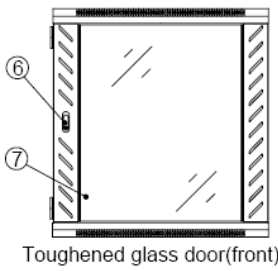
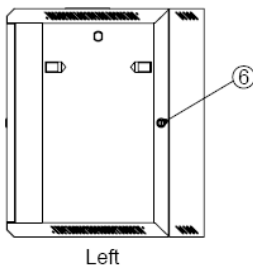
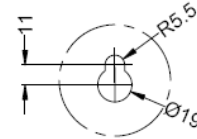
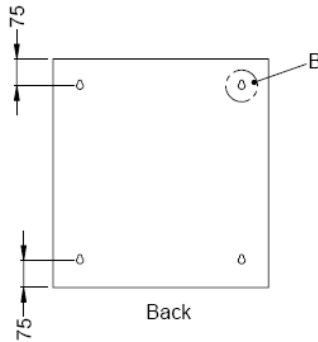
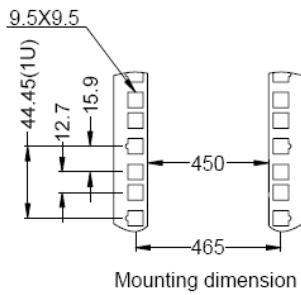


## Main structure



1. Cable entry cover
2. Back panel
3. Frame
4. Side panel
5. Mounting profile
6. Lock
7. Front door

## Main dimension



## Main parts

S/N	Specification	Quantity	Unit	Material	Surface Finish	Remark
1	Cable entry cover	3	Piece	SPCC Cold rolled steel t1.2	Powder coated	---
2	Back panel	1	Piece	SPCC Cold rolled steel t1.2	Powder coated	---
3	Frame	1	Piece	SPCC Cold rolled steel t1.2	Powder coated	---
4	Side panel	2	Piece	SPCC Cold rolled steel t1.2	Powder coated	---
5	Mounting profile	4	Piece	SPCC Cold rolled steel t1.5	Powder coated	---
6	Lock <sup>□</sup>	2	Piece	---	---	With 4 keys
7	Front door <sup>□</sup>	1	Piece	Toughened glass door/ t1.2 SPCC	Powder coated	---
8	Fan cover	2	Piece	SPCC Cold rolled steel t1.2	Powder coated	---
9	M6 square nut	10	Piece	Steel	Color zinc	20pcs for over 12U
10	M6 B-head screw	10	Piece	Steel	Color zinc	20pcs for over 12U
11	Allen wrench	1	Piece	Steel	Black	---

**Remark** Toughened glass door with vented door border is with moon shaped lock.

## Specification

Model No.	Capacity (U)	Width (mm)	Depth (mm)	Height (mm)	Packing Dimension W*D*H	Volume (CBM)
ZHE.6406.91	6	600	550	368	670*620*430	0.1786
ZHE.6409.91	9			501	670*620*560	0.2326
ZHE.6412.91	12			635	670*620*695	0.2887
ZHE.6415.91	15			769	670*620*830	0.3447
ZHE.6418.91	18			901	670*620*960	0.3987
ZHE.6422.91	22			1082	670*620*1140	0.4736
ZHE.6427.91	27			1304	670*620*1365	0.5670
ZHE.6606.91	6	600	600	368	670*670*430	0.1930
ZHE.6609.91	9			501	670*670*560	0.2513
ZHE.6612.91	12			635	670*670*695	0.3106
ZHE.6615.91	15			769	670*670*830	0.3725
ZHE.6618.91	18			901	670*670*960	0.4309
ZHE.6622.91	22			1082	670*670*1140	0.5117
ZHE.6627.91	27			1304	670*670*1365	0.6127

Remark: Above packing dimension and volume is for packing with PU foam on four angles; If no PU foam, the packing dimension should decrease 50mm, 50mm, 40mm accordingly, so does the volume.


## Definition of Color

Model No.	Color
ZH. . 1	RAL9004
ZH. . 2	RAL 7035

## Definition of front door

Model No.	Feature
ZH. . 1	Toughened glass door with vented border

## Definition of Ornament strip color (for toughened glass door with vented door border):

ZH. .91
dark blue


## Color

RAL9004	RAL7035
